

# Weirless Radial diaphragm™ sterile access valve

## FEATURES AND BENEFITS

- Patented radial diaphragm, eliminates entrapment for easy cleaning
- Features 180 degree install angle with full drainability in multiple orientations
- Simple Tri-Clamp assembly makes maintenance 80% faster
- No readjustment or retightening
- Integrated travel stops



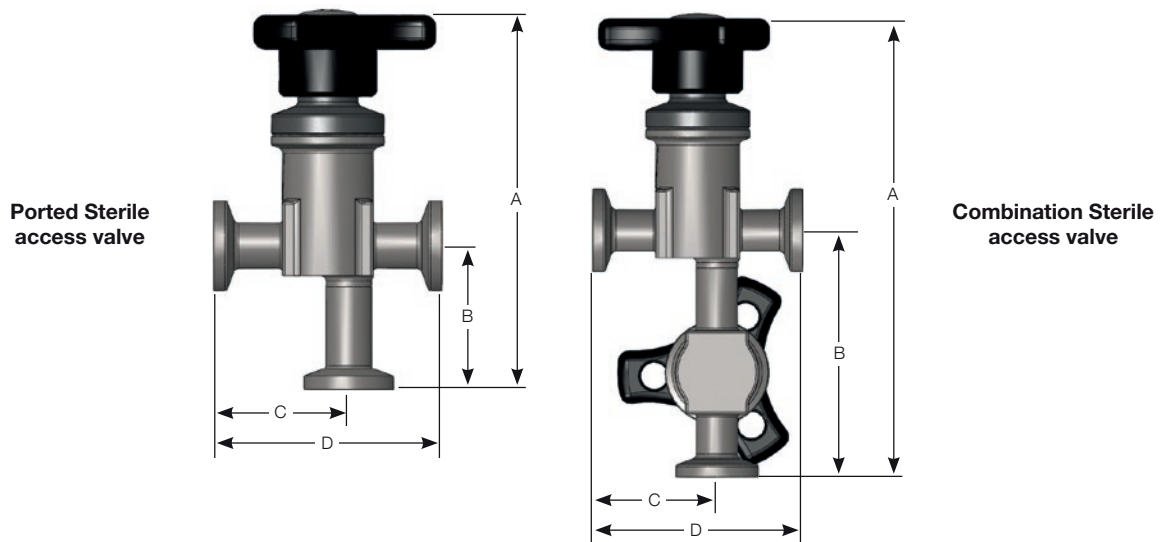
## TECHNICAL DATA

Valves	
Material	316L, AL6XN, Hastelloy Machined from solid, hot-rolled, bar stock or forgings
Surface Finish	Max. 0.5 µm Ra (20 micro-inch Ra), electropolished Max. 0.375 µm Ra (15 micro-inch Ra), electropolished Max. 0.25 µm Ra (10 micro-inch Ra), electropolished
Sizes	0.5 inch Compact, 0.75 inch, 1 inch and 1.5 inch
Available Connections	Hygienic clamp, tube-end
Handle Colors	Standard: 0.5, 0.75, 1, and 1.5 inch black On request: blue, red, yellow, amber, green, purple
Maximum Pressure	10 bar (150 psi)
Maximum Temperature	135C/275F
Marking	Each valve is serialized and marked for full material traceability
ISO	All product and procedures are governed by our ISO Quality Assurance Program
Standards	BPE, CE-PED, ASME
Actuators	
Types	Manual or compact pneumatic#Fail open or closed
Material	Base is 304 stainless, manual handle is PES, pneumatic housing is PPS
Sizes	0.5 inch, 0.75 inch, 1 inch and 1.5 inch
Operating Air Pressure	7 bar (100 psi) max. for pneumatic actuators
Seals	Teflon bushings and O-rings
Fitting	1/8-inch NPT air connection (for pneumatic)
Possible Instrumentation	Switched With or without solenoids With or without DeviceNet cards
Diaphragms	
Materials	EPDM EPDM Plus
Temperature Range	-35 to 135C (-30 to 275F) -35 to 135C (-30 to 275F)
Class	USP Class VI, 21 CFR 177.2600 USP Class VI, 21 CFR 177.2600
Parylene Treatment	- √

## PERFORMANCE DATA

Sterile access valve flow rates	
Size inches	Cv at 0.07 bar (1 psi) LPM (USGPM)
0.50 Compact	17.8 (4.70)
0.75	36 (9.51)
1.00	70 (18.49)
1.50	104 (27.47)

## DIMENSIONS



Ported Sterile access valve dimensions					
Size inches	A - with Manual Actuator mm (in)	A - with Pneumatic Actuator mm (in)	B mm (in)	C mm (in)	D mm (in)
0.50 Compact	104.1 (4.10)	160.5 (6.32)	40.1 (1.58)	37.6 (1.48)	63.5 (2.50)
0.75	111.3 (4.38)	219.2 (8.63)	47.2 (1.86)	49.0 (1.93)	76.2 (3.00)
1.00	153.2 (6.03)	282.2 (11.11)	50.3 (1.98)	75.4 (2.97)	114.3 (4.50)
1.50	160.8 (6.33)	384.8 (15.15)	56.9 (2.24)	98.6 (3.88)	139.7 (5.50)

Combination Sterile access valve dimensions					
Size inches	A - with Manual Actuator mm (in)	A - with Pneumatic Actuator mm (in)	B mm (in)	C mm (in)	D mm (in)
0.50 Compact	139.2 (5.48)	195.6 (7.70)	74.9 (2.95)	37.6 (1.48)	63.5 (2.50)
0.75	157.5 (6.20)	265.4 (10.45)	94.7 (3.73)	49.0 (1.93)	76.2 (3.00)
1.00	239.0 (9.41)	368.0 (14.49)	136.1 (5.36)	75.4 (2.97)	114.3 (4.50)
1.50	272.0 (10.71)	495.8 (19.52)	168.1 (6.62)	98.6 (3.88)	139.7 (5.50)

## TECHNICAL SPECIFICATION

Ported Sterile access valve weights		
Size inches	Valve Body kg (lb)	Total Weight with Manual Actuator kg (lb)
0.50 Compact	0.44 (0.96)	0.69 (1.51)
0.75	0.86 (1.89)	1.70 (3.74)
1.00	1.79 (3.94)	3.13 (6.89)
1.50	3.25 (7.15)	6.68 (14.70)

Combination Sterile access valve weights		
Size inches	Valve Body kg (lb)	Total Weight with Manual Actuator kg (lb)
0.50 Compact	0.84 (1.84)	1.34 (2.94)
0.75	1.62 (3.56)	3.30 (7.26)
1.00	3.38 (7.43)	6.06 (13.33)
1.50	6.47 (14.24)	13.32 (29.30)

## ORDERING INFORMATION

Ported Sterile access valve	
Model Code	Part Description
FC05-110-1	Weirless valve 0.5" Compact EN 1.4435 body/EN1.4404 fittings Clamp-end inlet Clamp-end outlet 2.5" Face-to-Face & 0.5" clamp-end port 1.58" from centerline 20 micro-inch Ra surface finish electropolished and passivated includes body/actuator clamp
IC08-110-1	Weirless valve 0.75" EN 1.4435 body/EN1.4404 fittings Clamp-end inlet Clamp-end outlet 3" Face-to-Face & 0.75" clamp-end port 1.86" from centerline 20 micro-inch Ra surface finish electropolished and passivated includes body/actuator clamp
IC10-110-1	Weirless valve 1" EN 1.4435 body/EN1.4404 fittings Clamp-end inlet Clamp-end outlet 4.5" Face-to-Face & 1" clamp-end port 2" from centerline 20 micro-inch Ra surface finish electropolished and passivated includes body/actuator clamp
IC15-110-1	Weirless valve 1.5" EN 1.4435 body/EN1.4404 fittings Clamp-end inlet Clamp-end outlet 5.5" Face-to-Face & 1.5" clamp-end port 1.82" from centerline 20 micro-inch Ra surface finish electropolished and passivated includes body/actuator clamp

Combination Sterile access valve	
Model Code	Part Description
FC05-112-1	Weirless valve 0.5" Compact Block & Bleed EN 1.4435 body/EN1.4404 fittings Clamp-end inlet Clamp-end outlet 2.5" Face-to-Face & 0.5" bleed valve with clamp-end outlet 20 micro-inch Ra surface finish electropolished and passivated includes body/actuator clamp
IC08-112-1	Weirless valve 0.75" Block & Bleed EN 1.4435 body/EN1.4404 fittings Clamp-end inlet Clamp-end outlet 3" Face-to-Face & 0.75" bleed valve with clamp-end outlet 20 micro-inch Ra surface finish electropolished and passivated includes body/actuator clamp
IC10-112-1	Weirless valve 1" Block & Bleed EN 1.4435 body/EN1.4404 fittings Clamp-end inlet Clamp-end outlet 4.5" Face-to-Face & 1" bleed valve with clamp-end outlet 20 micro-inch Ra surface finish electropolished and passivated includes body/actuator clamp
IC15-112-1	Weirless valve 1.5" Block & Bleed EN 1.4435 body/EN1.4404 fittings Clamp-end inlet Clamp-end outlet 5.5" Face-to-Face & 1.5" bleed valve with clamp-end outlet 20 micro-inch Ra surface finish electropolished and passivated includes body/actuator clamp

Disclaimer: The information contained in this document is believed to be correct but ASEPCO accepts no liability for any errors it contains and reserves the right to alter specifications without notice. It is the users responsibility to ensure product suitability for use within their application. Radial diaphragm is a trademark of ASEPCO Corporation. Tri-Clamp is a registered trademark of Alfa Laval Corporate AB.

**ASEPCO**

wmftg.com  
info.asepco@wmftg.com  
+1-650-691-9500