

The ASEPCO Weirless Radial-Diaphragm™ I-Sample Valve

Sampling for Critical Aseptic Processing Applications

All ASEPCO radial-diaphragm valves are specifically designed for applications where leakage, dead legs, and cross-contamination are unacceptable. The I-Sample Valve installs in a standard 25-mm Ingold port and is uniquely equipped with an ASEPCO port that allows through-the-chamber CIP/SIP flow between sampling to ensure a truly representative sample every time.

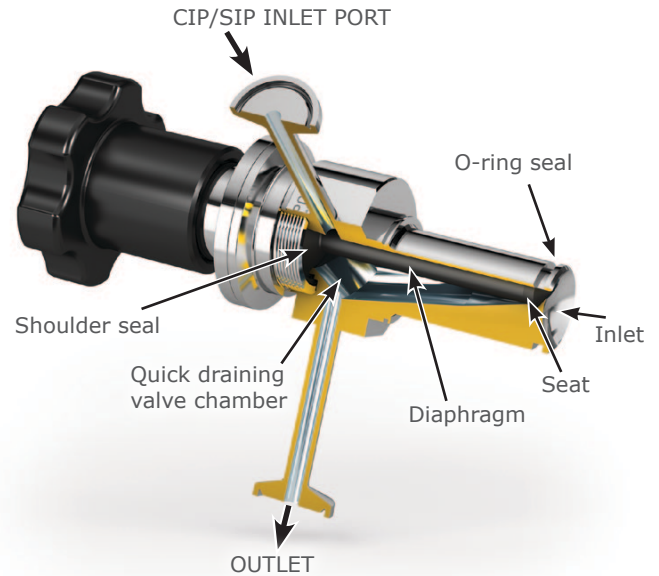
ASEPCO

ADVANCED ASEPTIC
PROCESSING EQUIPMENT

Features

- Through chamber CIP/SIP
- Radial-diaphragm
- Installs in any 25-mm Ingold port
- Change diaphragms in seconds
- Integral travel stops
- Patented shoulder seal
- Behind the seat flow path

Available in two models:
threaded Ingold connection or
clamp-on Ingold connection



Specifications

Valves

Material	316L, AL6XN, Hastelloy Machined from solid, hot-rolled, bar stock
Surface Finish	Max. 20 micro-inch Ra (0.5 µm Ra), electropolished Max. 15 micro-inch Ra (0.375 µm Ra), electropolished Max. 10 micro-inch Ra (0.25 µm Ra), electropolished
Mounting	Installs in 25-mm Ingold port
Inlet Size	0.25 to 0.5 inch
CIP/SIP Port/Outlet Connections	0.25 to 0.5-inch hygienic clamp or tube end
Maximum Pressure	[Valve body pressure only] ASME vessels: 250 psi (17 bar), PED vessels: 175 psi (12 bar)
Maximum Temperature	135°C/275°F
Marking	Each valve is serialized and marked for full material traceability
ISO	All product and procedures are governed by our ISO Quality Assurance Program
Standards	BPE, ASME

Actuators

Type	Manual
Material	304 stainless steel housing, can be made in 316L
Size	0.5 inch

Diaphragms

Materials	Silicone	Silicone Plus	EPDM	EPDM Plus
Temperature Range	-60 to 275°F	-60 to 275°F	-30 to 275°F	-30 to 275°F
Pressure Range	100-150psi	100-150psi	100-150psi	100-150psi
Parylene Treatment	-	√	-	√

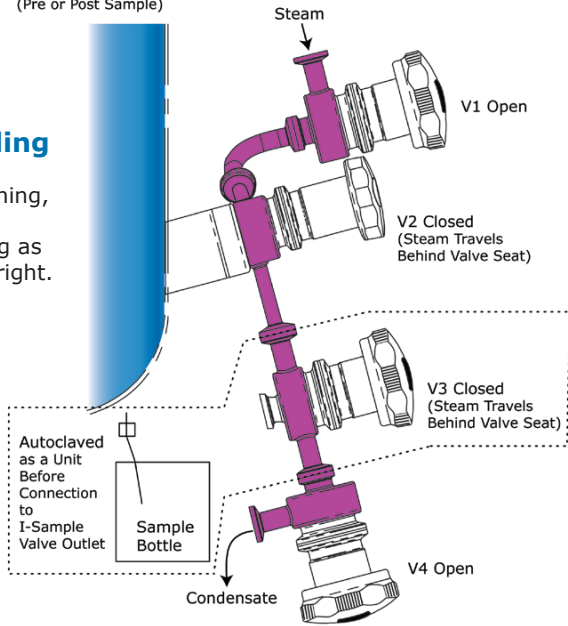
Class All materials: USP Class VI, 21 CFR 177.2600

Please contact our Customer Service Department for any non-standard valve requirement (800) 882-3886 or info@asepco.com

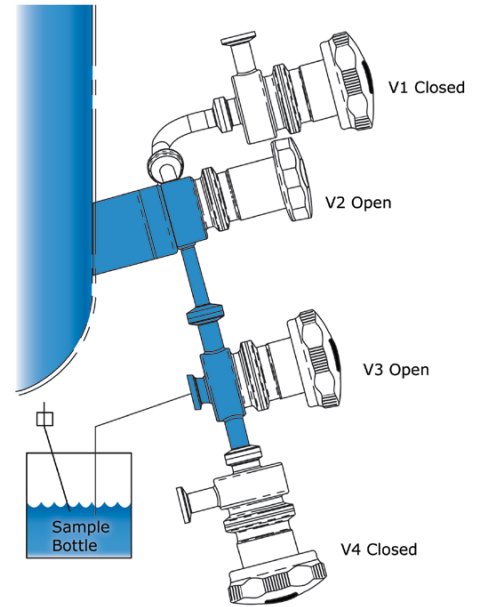
ASEPCO Tank Sampling

With "behind the seat" cleaning, our valve system allows contamination-free sampling as depicted in the graphics at right.

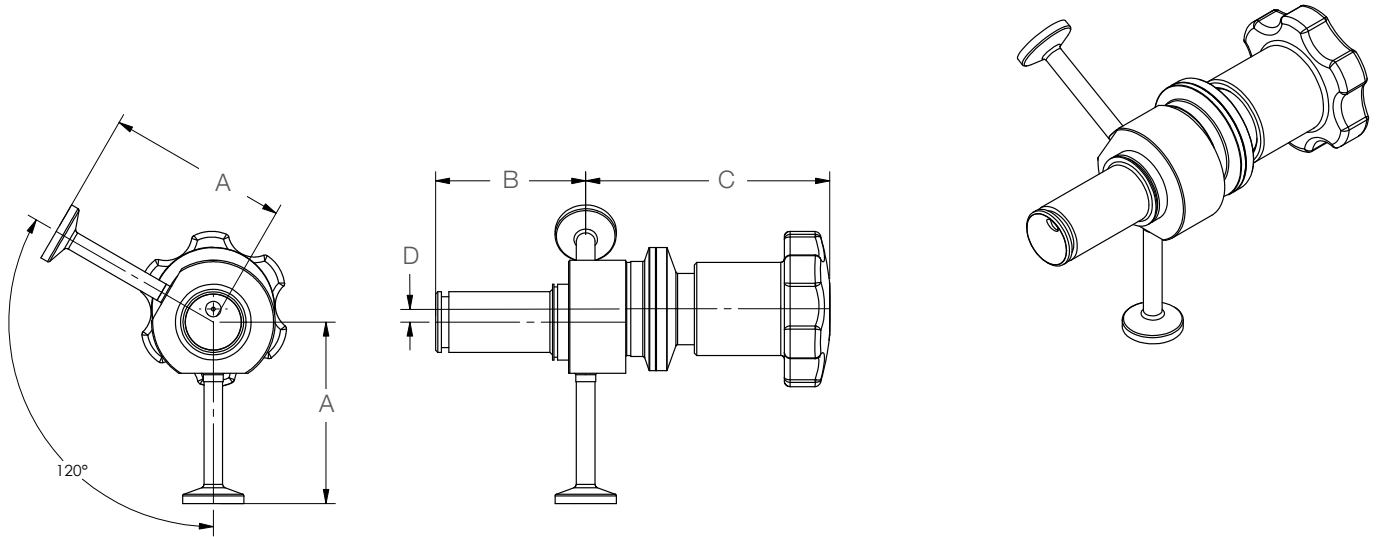
Decontamination Flowpath (Pre or Post Sample)



Sample Flowpath



I-Sample Valve Dimensions, Flow Rates, and Weights Specifications



I-Sample Valve Dimensions

Size	A	B	C	D	B + C (with Actuator)
inches	in (mm)	in (mm)	in (mm)	in (mm)	in (mm)
0.50	2.92 (74.2)	2.42 (61.5)	3.93 (99.8)	0.21 (5.3)	6.35 (161.3)

Weights

Size	Valve Body	Total Weight with Manual Actuator
inches	lb (kg)	lb (kg)
0.50	1.21 (0.55)	1.95 (0.88)

I-Sample Valve Flow Rates

Size	Cv at 1 psi (0.07 bar)
inches	GPM (LPM)
0.25 Fitting connections	1.23 (4.66)
0.50 Fitting connections	2.6 (10.2)