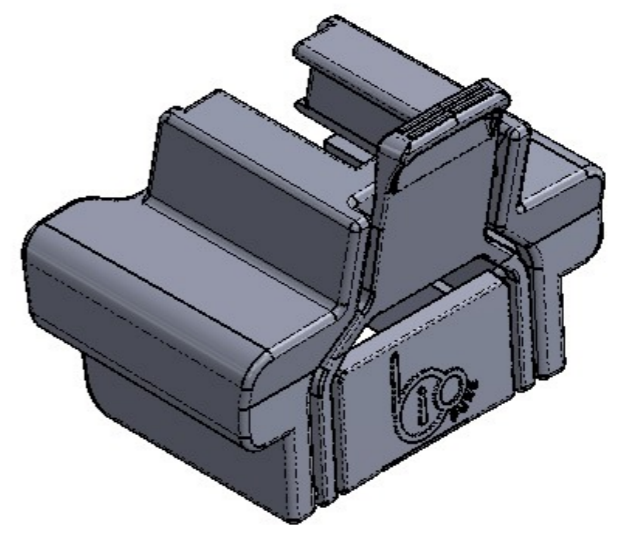
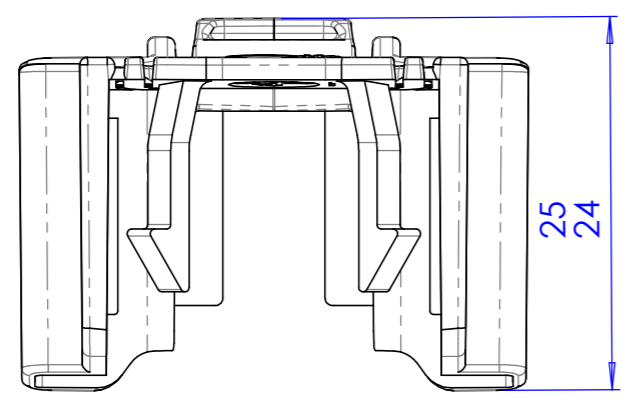
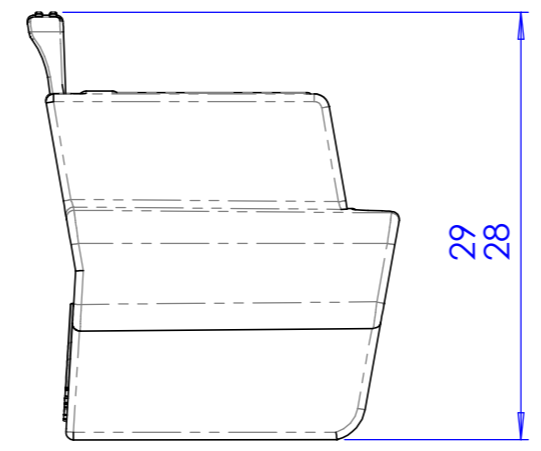
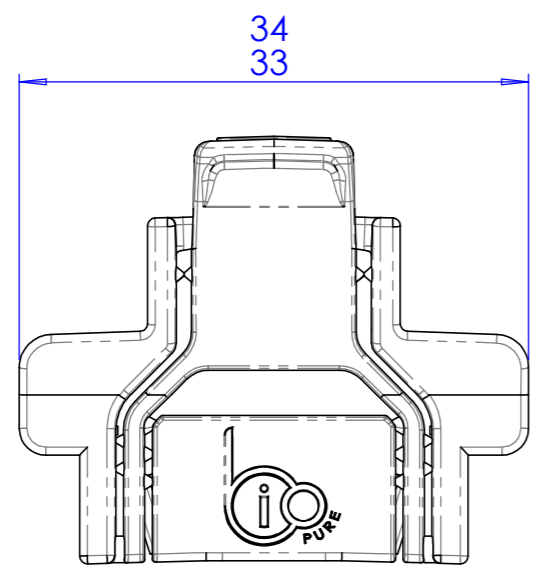


REVISION	DATE	DESCRIPTION	WHO



Single Part Number	100 Pack Part Number	Description
1033-0001-0001	1033-0001-0100	Q-CLAMP TAMPER EVIDENT COVER, NATURAL
1033-0002-0001	1033-0002-0100	Q-CLAMP TAMPER EVIDENT COVER, BLUE
1033-0003-0001	1033-0003-0100	Q-CLAMP TAMPER EVIDENT COVER, GREY
1033-0004-0001	1033-0004-0100	Q-CLAMP TAMPER EVIDENT COVER, ORANGE
1033-0005-0001	1033-0005-0100	Q-CLAMP TAMPER EVIDENT COVER, YELLOW
1033-0006-0001	1033-0006-0100	Q-CLAMP TAMPER EVIDENT COVER, RED
1033-0007-0001	1033-0007-0100	Q-CLAMP TAMPER EVIDENT COVER, GREEN
1033-0008-0001	1033-0008-0100	Q-CLAMP TAMPER EVIDENT COVER, PURPLE

UNLESS OTHERWISE SPECIFIED, DIMENSIONS ARE IN MM:  
 GENERAL TOLERANCES:  
 OPEN: +/- 0.5mm  
 ID.P.: +/- 0.25mm  
 FLASH TO BE NO MORE THAN 0.2MM AND MUST NOT BE SHARP  
 DO NOT SCALE DRAWING

	NAME	SIGNATURE	DATE
DRAWN	CS		
CHK'D	NW		
P.M.	SC		

ALL RIGHTS RESERVED  
 THIS DRAWING IS TO BE USED FOR REFERENCE PURPOSES ONLY AND NO PART MAY BE REPRODUCED, STORED IN A RETRIEVAL SYSTEM OR USED BY A THIRD PARTY FOR ANY PURPOSE WITHOUT WRITTEN PERMISSION FROM BIOPURE TECHNOLOGY LIMITED

MATERIAL:  
 BORMED HD810 MO

REVISION: <b>1</b>	 Fluid Technology Group	
TITLE: <b>Q-CLAMP TAMPER EVIDENT COVER</b>		
DWG NO. 1033-0001-0001-S	A3	
SCALE:2:1	SHEET 1 OF 1	