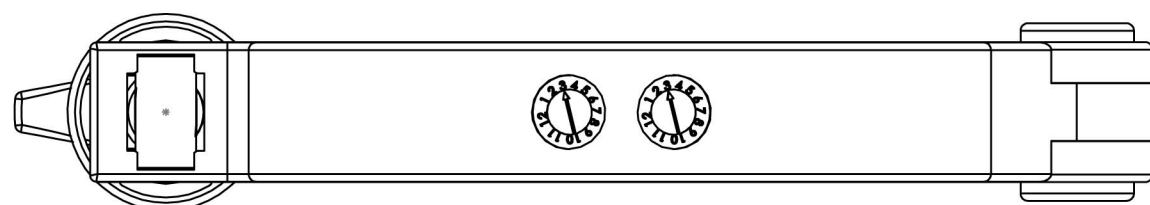
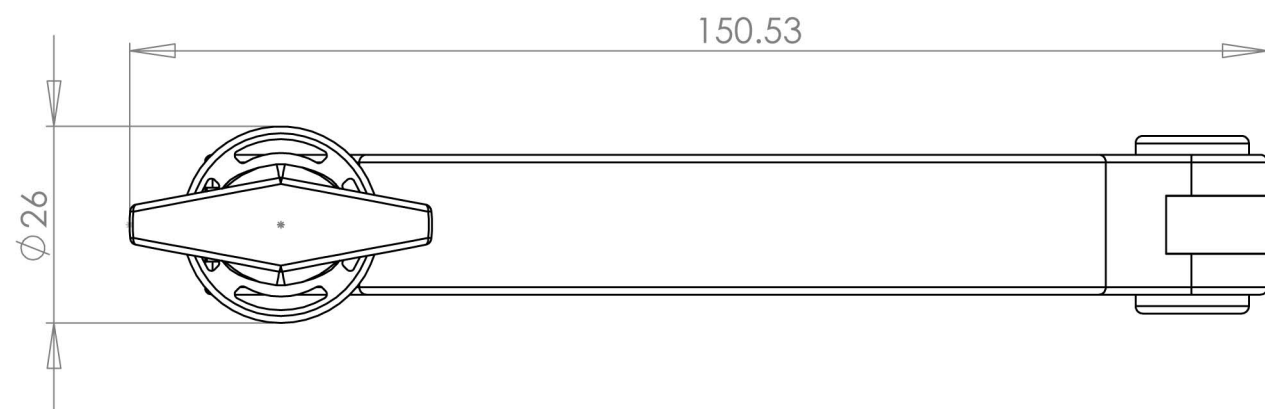
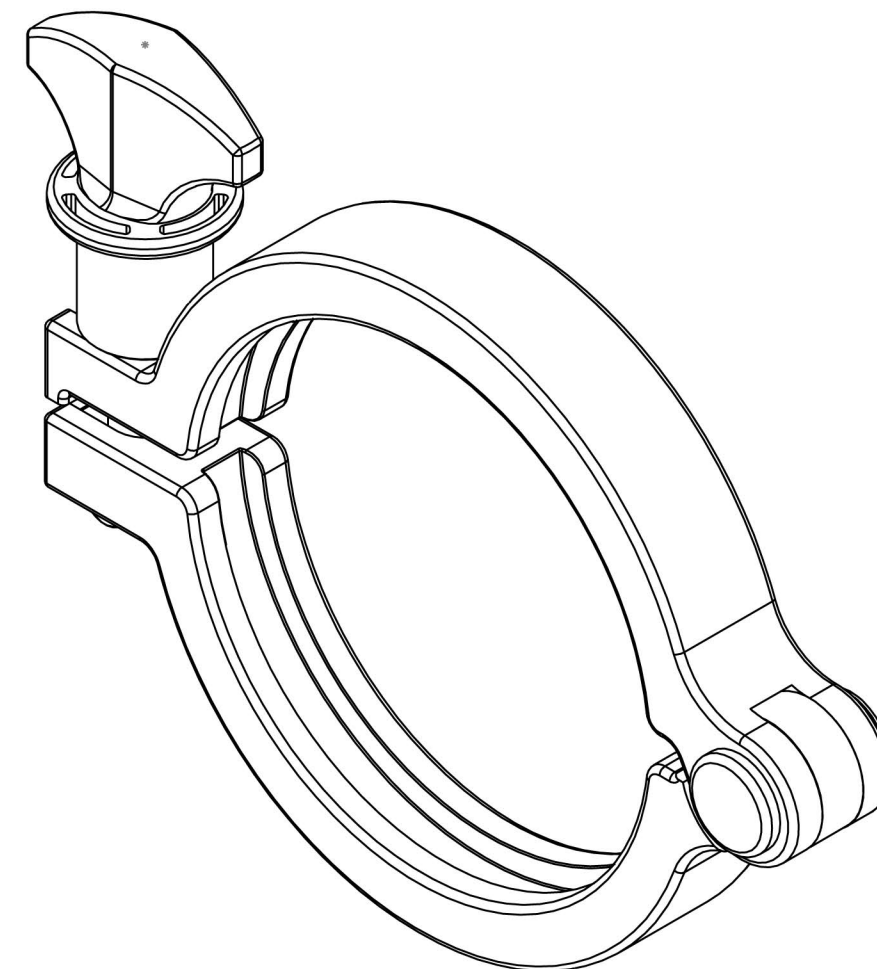
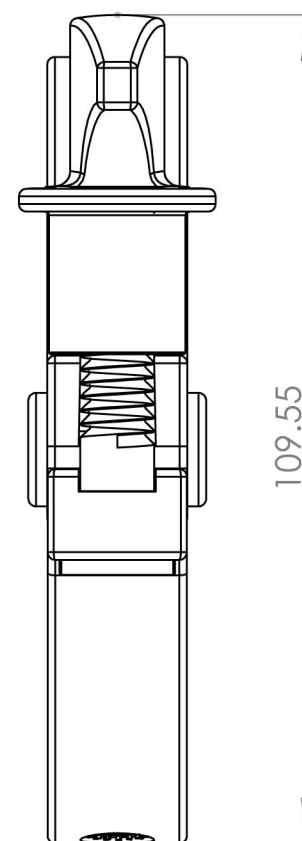
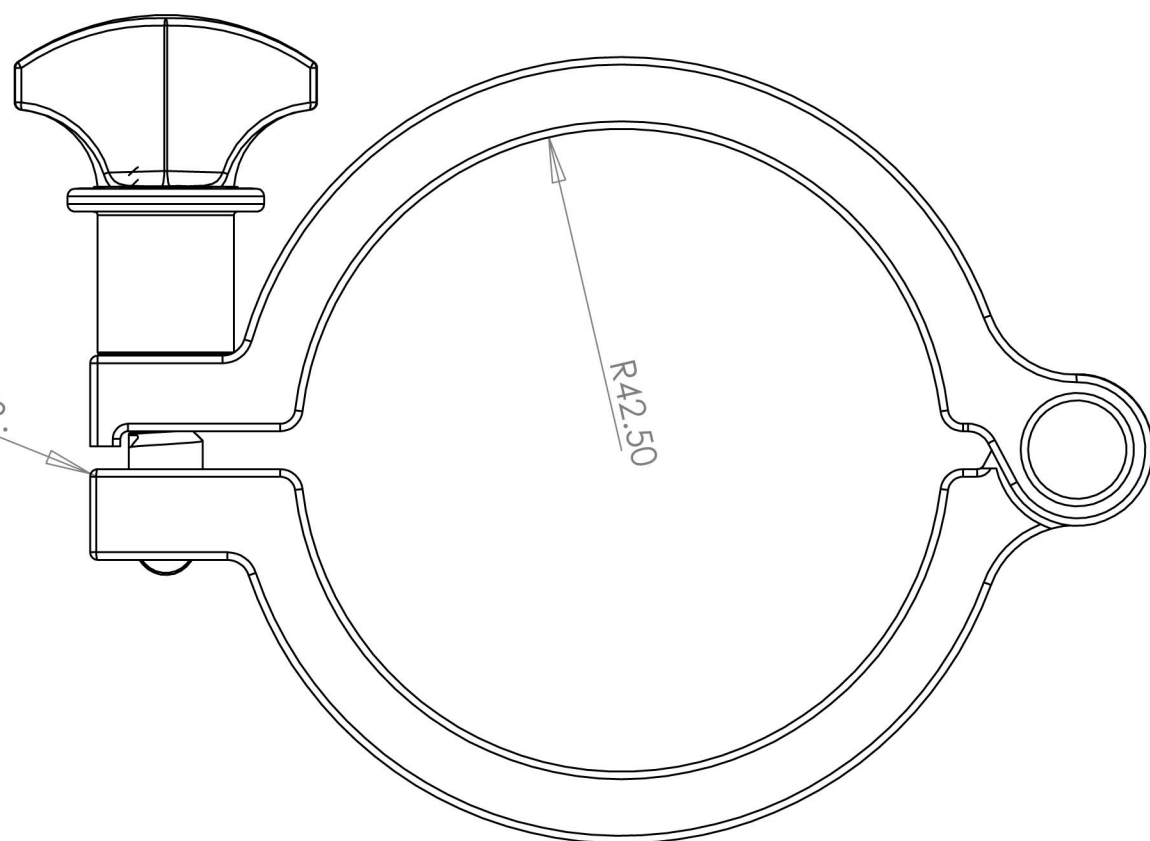


UK PAT NO:GB2362428  
 UK PAT NO:GB2361753  
 UK PAT NO:GB2352475  
 USA PAT NO:US6708377  
 USA PAT NO:US7384078  
 EUR PAT NO: EP1230505  
 AUSTRALIAN PAT NO:AU774546  
 INDIA PAT NO:IN199286



CLOCK



copyright ©  
 This drawing and its associated design is the property of Bio-pure technology Ltd & may not be copied or used for any purpose other than that for which it was supplied, without the express written authority of bio pure technology Ltd.



**BioPure Technology Ltd,**  
 Unit M1, Hazleton Interchange,  
 Lakesmere Road, Horndean, PO8 9JU.  
 Tel: +44 (0) 2392 499000  
 Fax: +44 (0) 2392 499001  
 Email: sales@biopuretech.com  
 Web: www.biopuretech.com

ITEM	QTY	PART ID	MATERIAL	FILE NAME: CLAMP 3 ASSY
UNLESS OTHERWISE STATED DIMENSIONS IN mm TOL = +/- 0.1mm ANGLES = +/- 0.1 DEG	SIZE A4	ISSUE: C	FINISH: WHITE WT 192	TITLE: BIO-CLAMP NG300WHT
		SHEET: 1	MATERIAL: GLASS REINFORCED NYLON	DWG NO: NG300WHT
SCALE NTS			DEBUR AND BREAK SHARP EDGES	WEIGHT: DENSITY: