

DO NOT SCALE DRAWING

IF IN DOUBT - ASK

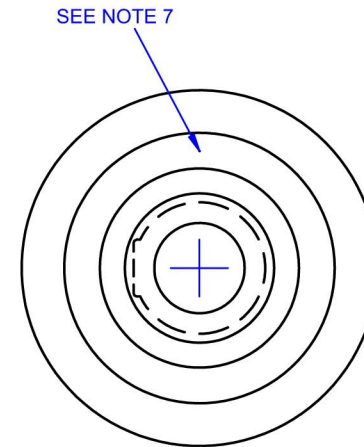
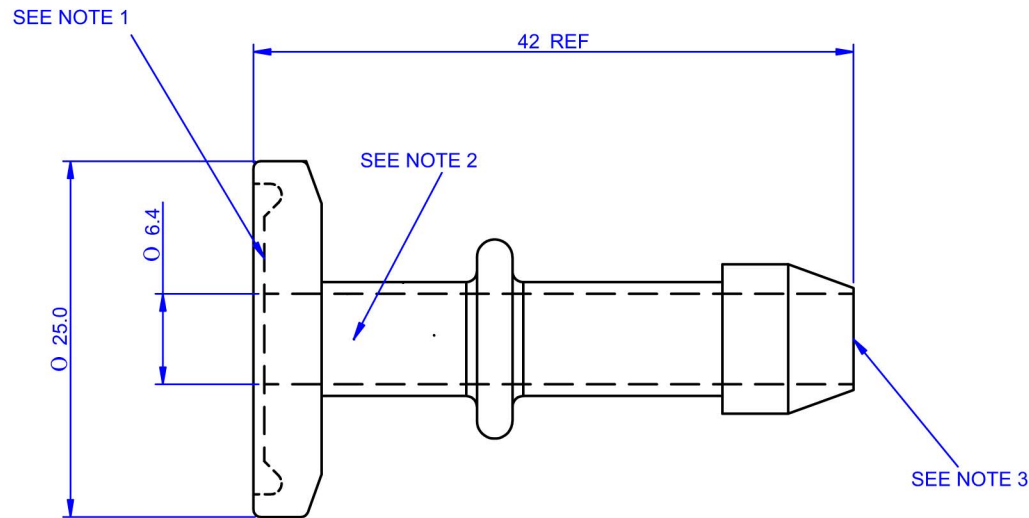
3rd ANGLE PROJECTION 

DRAWING NUMBER

PPMINITC0250BB-CD

ISSUE	DESCRIPTION	DATE
B	BS & PATENT DETAIL ADDED	24/05/05

PATENT PENDING GB 0509362.0
 PATENT PENDING US 11/053657
 PATENT PENDING EEC 05075275.7



NOTES:

- THIS FACE TO BE FLAT TO 0.15 mm. MAXIMUM EJECTOR WITNESS PERMISSABLE 0.07mm.
- BATCH CODE TO BE MOULDED ON PART IN THIS AREA.
- NO FLASH OR IMPERFECTION PERMISSABLE ON FRONT EDGE OF MOULDING.
- NO CONTAMINATION ALLOWED.
- MAXIMUM SPLIT LINE FLASH 0.2 mm.
- PART TO BE MANUFACTURED IN CLEANROOM ENVIROMENT.
- INJECTION GATE MARK TO BE TRIMMED FLUSH.

© COPYRIGHT

This drawing and its associated design is the property of Bio-Pure Technology Ltd & may not be copied or used for any purpose other than that for which it is supplied, without the express written authority of Bio-Pure Technology Ltd

DIMENSIONS IN MILLIMETERS

TOLERANCES UNLESS STATED
 0 DEC PLACE +/- 0.5
 1 DEC PLACE +/- 0.25
 2 DEC PLACES +/- 0.10

ANGULAR +/- 0.5 DEG

MATERIAL AND SPECIFICATION

PP Natural
 Borealis HD810MO

DRAWN BY

MJF

DATE

29/11/04

FINISH

CLEAN

CHECKED BY

PRW

APPROVED BY

RW

SCALE

2:1



BioPure Technology Ltd,
 Unit M1, Hazleton Interchange,
 Lakesmere Road, Horndean, PO8 9JU.
 Tel: +44 (0) 2392 499000
 Fax: +44 (0) 2392 499001
 Email: sales@biopuretech.com
 Web: www.biopuretech.com

TITLE

BIO-BARB
 SMALL FLANGE x 0.250

PART No:

PPMINITC0250BB