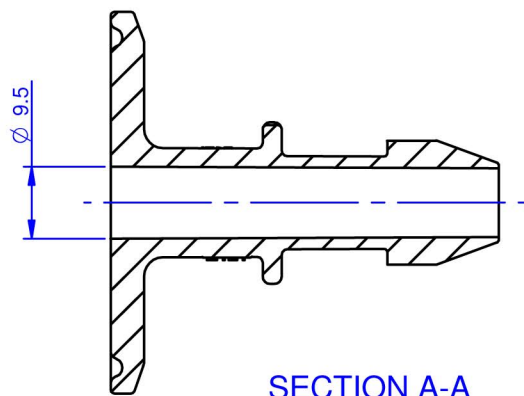
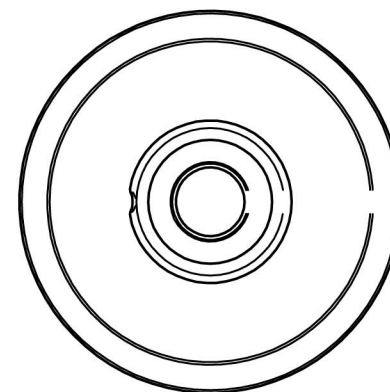
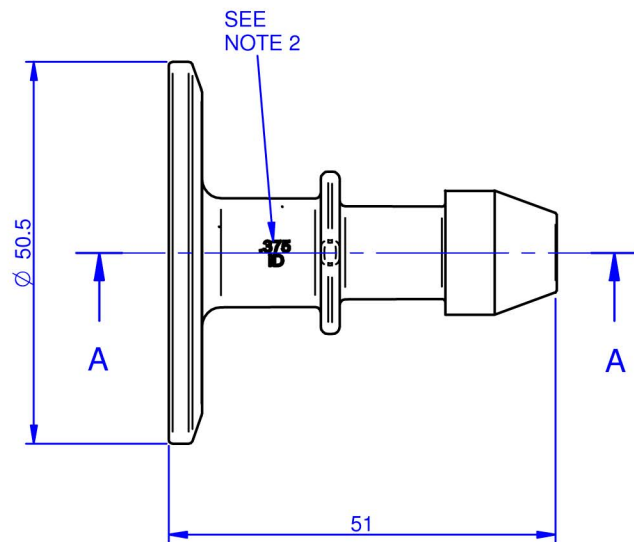
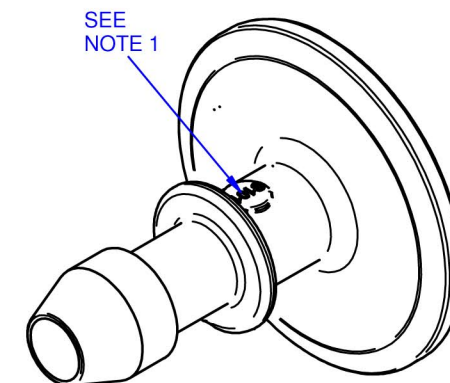


ISSUE	DESCRIPTION	DATE
B	RIBS REMOVED	22/10/07



SECTION A-A



## NOTES:

- BATCH CODE TO BE MOULDED ON PART IN THIS AREA.
- COMPONENT SIZE IDENTIFICATION TO MOULDED IN THIS POSITION.
- NO FLASH OR IMPERFECTIONS PERMISSABLE ON FRONT EDGE OF BARB.
- PART TO BE MANUFACTURED IN CLEANROOM ENVIROMENT.
- FLANGE DETAIL TO CONFORM TO RELEVANT ISO, BS & DIN STANDARDS

## © COPYRIGHT

This drawing and its associated design is the property of Bio-Pure Technology Ltd & may not be copied or used for any purpose other than that for which it is supplied, without the express written authority of Bio-Pure Technology Ltd

## DIMENSIONS IN MILLIMETERS

TOLERANCES UNLESS STATED  
 0 DEC PLACE +/- 0.5  
 1 DEC PLACE +/- 0.25  
 2 DEC PLACES +/- 0.10

ANGULAR +/- 0.5 DEG

## MATERIAL AND SPECIFICATION

PP Natural  
 Borealis HD810MO

## DRAWN BY

MJF

## CHECKED BY

PJR

## DATE

22/10/07

## APPROVED BY

RM

## FINISH

CLEAN

## SCALE

1:1



**BioPure Technology Ltd,**  
 Unit M1, Hazleton Interchange,  
 Lakesmere Road, Horndean, PO8 9JU.  
 Tel: +44 (0) 2392 499000  
 Fax: +44 (0) 2392 499001  
 Email: sales@biopuretech.com  
 Web: www.biopuretech.com

## TITLE

**BIOBARB  
 LARGE FLANGE x 0.375**

## PART No:

**PP100/150TC0375BB**