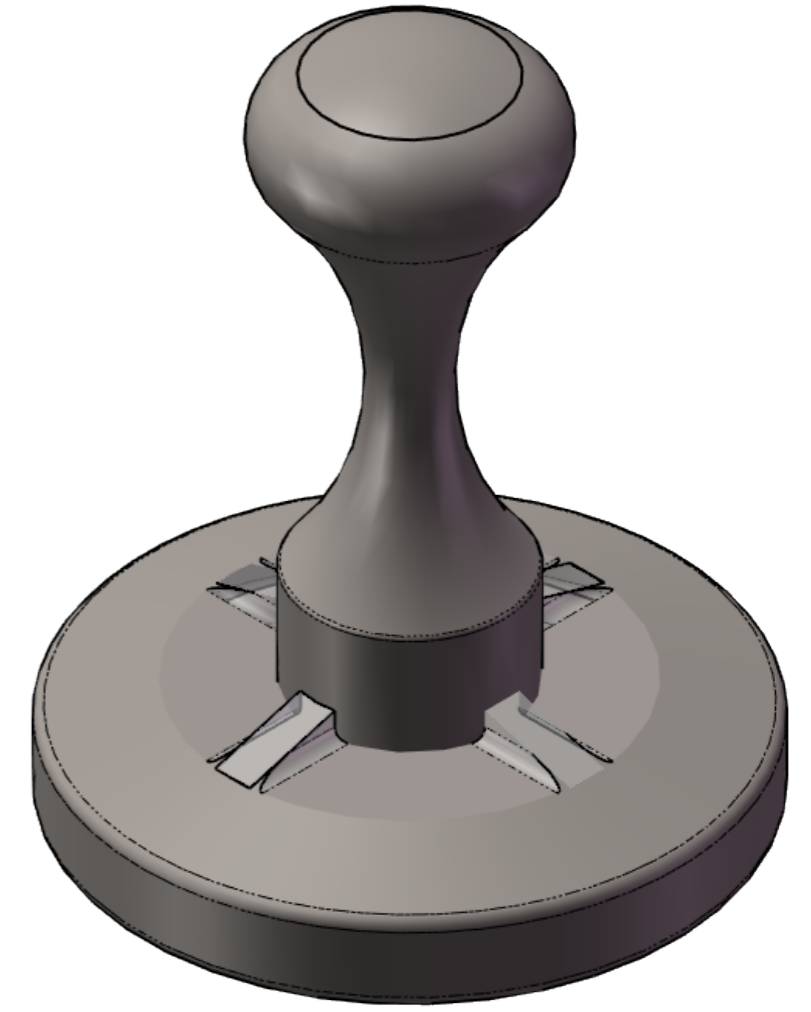
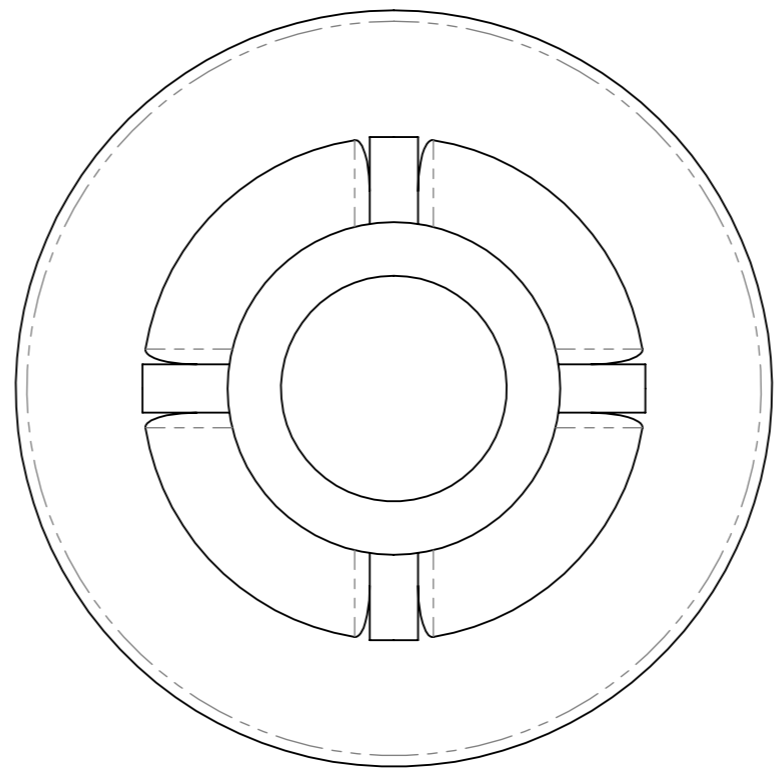
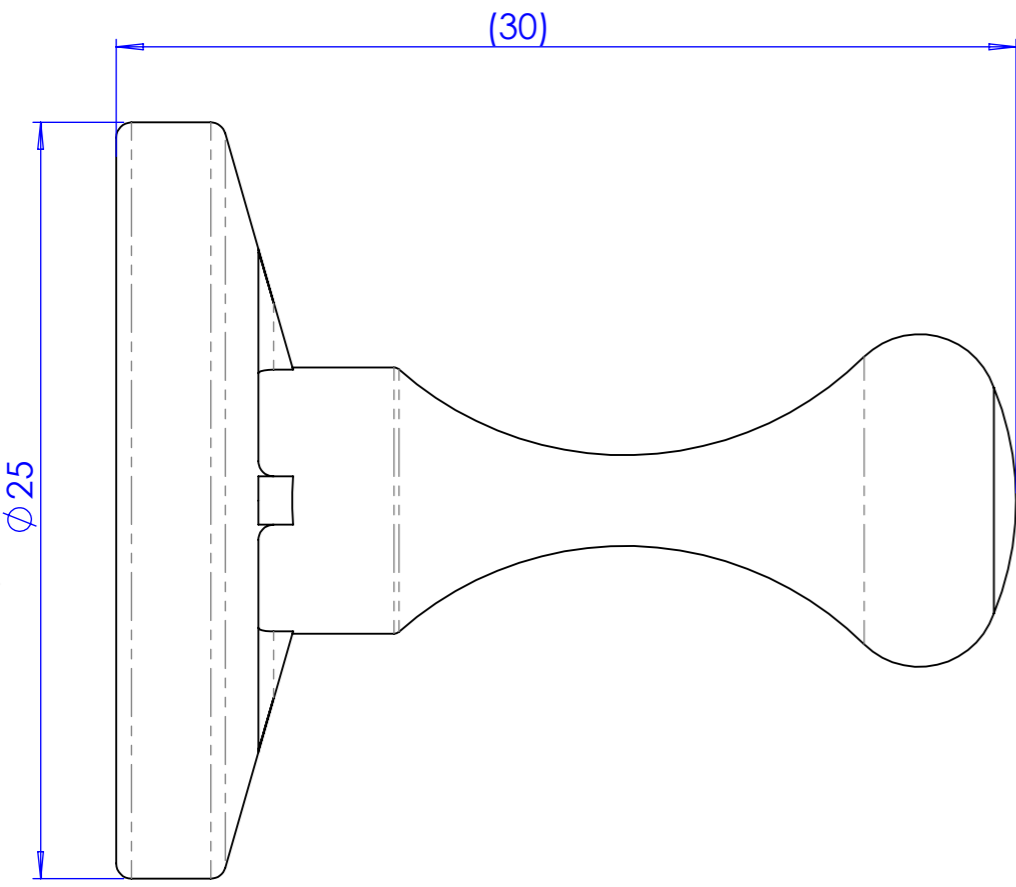


REVISION	DATE	DESCRIPTION	WHO
1	13-FEB-2024	INITIAL RELEASE	



UNLESS OTHERWISE SPECIFIED:
 DIMENSIONS ARE IN MILLIMETERS:
 GENERAL TOLERANCES:
 OPEN: +/- 0.5mm 2 D.P.: +/- 0.1mm
 I.D.P.: +/- 0.25mm ANGULAR: +/- 0.5°
 FLASH TO BE NO MORE THAN 0.2MM AND MUST NOT BE SHARP
 DO NOT SCALE DRAWING

ALL RIGHTS RESERVED
 THIS DRAWING IS TO BE USED
 FOR REFERENCE PURPOSES
 ONLY AND NO PART MAY BE
 REPRODUCED, STORED IN A
 RETRIEVAL SYSTEM OR USED BY
 A THIRD PARTY FOR ANY
 PURPOSE WITHOUT WRITTEN
 PERMISSION FROM BIOPURE
 TECHNOLOGY LIMITED

	NAME	SIGNATURE	DATE
DRAWN	CS		
Q.A.	JM		
PM	SC		

MATERIAL:
 BORMED HD810MO

REVISION: 1

TITLE:
**BIOENDCAP, 1/2"-
 3/4"**

DWG NO. PPEC05000750-S A3
 SCALE: 4:1 SHEET 1 OF 1