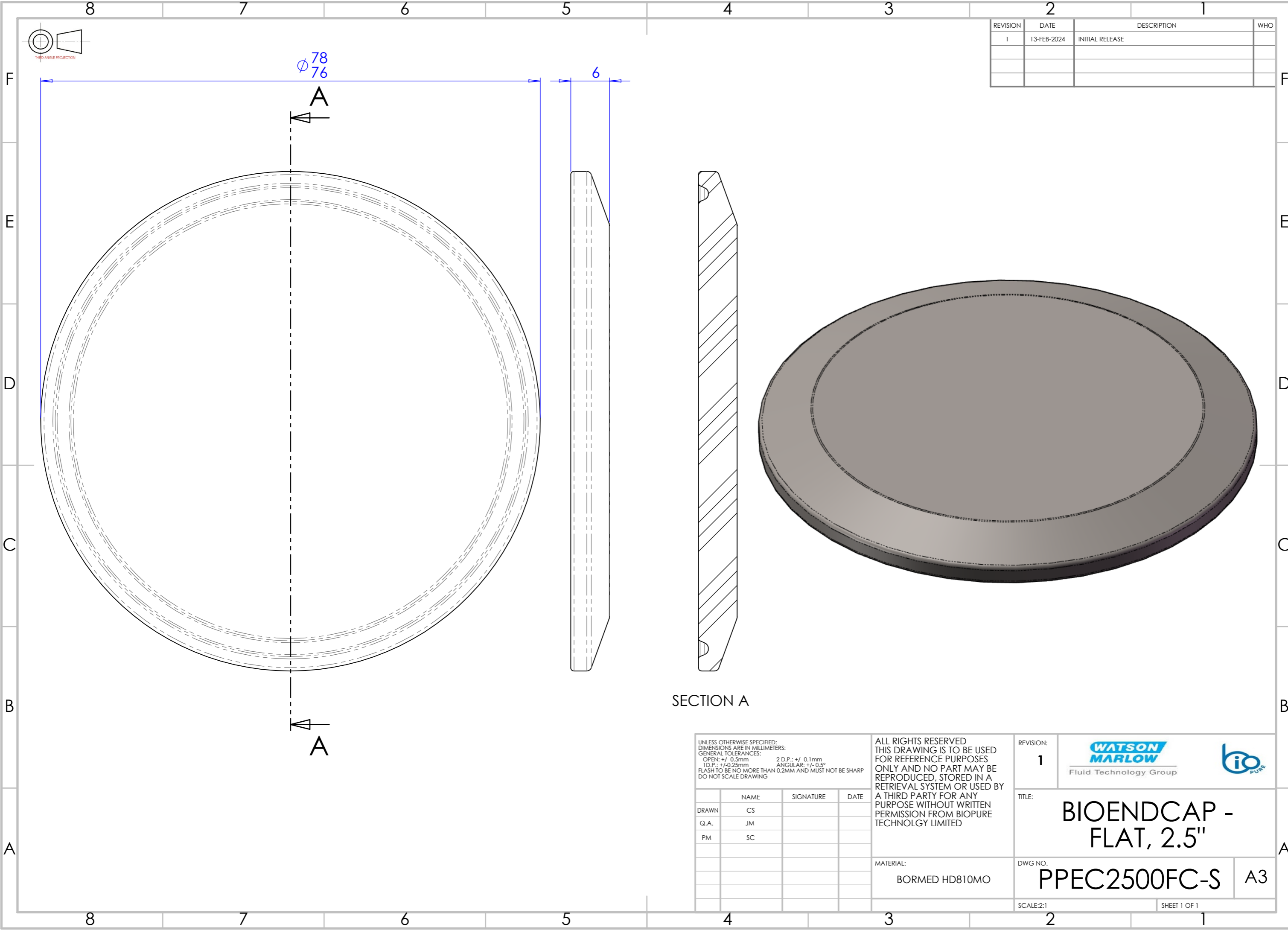
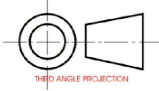


REVISION	DATE	DESCRIPTION	WHO
1	13-FEB-2024	INITIAL RELEASE	



SECTION A

UNLESS OTHERWISE SPECIFIED:  
 DIMENSIONS ARE IN MILLIMETERS:  
 GENERAL TOLERANCES:  
 OPEN: +/- 0.5mm      2 D.P.: +/- 0.1mm  
 I.D.P.: +/- 0.25mm      ANGULAR: +/- 0.5°  
 FLASH TO BE NO MORE THAN 0.2MM AND MUST NOT BE SHARP  
 DO NOT SCALE DRAWING

ALL RIGHTS RESERVED  
 THIS DRAWING IS TO BE USED  
 FOR REFERENCE PURPOSES  
 ONLY AND NO PART MAY BE  
 REPRODUCED, STORED IN A  
 RETRIEVAL SYSTEM OR USED BY  
 A THIRD PARTY FOR ANY  
 PURPOSE WITHOUT WRITTEN  
 PERMISSION FROM BIOPURE  
 TECHNOLOGY LIMITED

	NAME	SIGNATURE	DATE
DRAWN	CS		
Q.A.	JM		
PM	SC		

MATERIAL:  
 BORMED HD810MO

REVISION: <b>1</b>	<p>Fluid Technology Group</p>
TITLE: <b>BIOENDCAP - FLAT, 2.5"</b>	
DWG NO. <b>PPEC2500FC-S</b>	<b>A3</b>
SCALE: 2:1	SHEET 1 OF 1