

Bredel 100



Hose Pumps

Bredel hose pumps (65-2100)

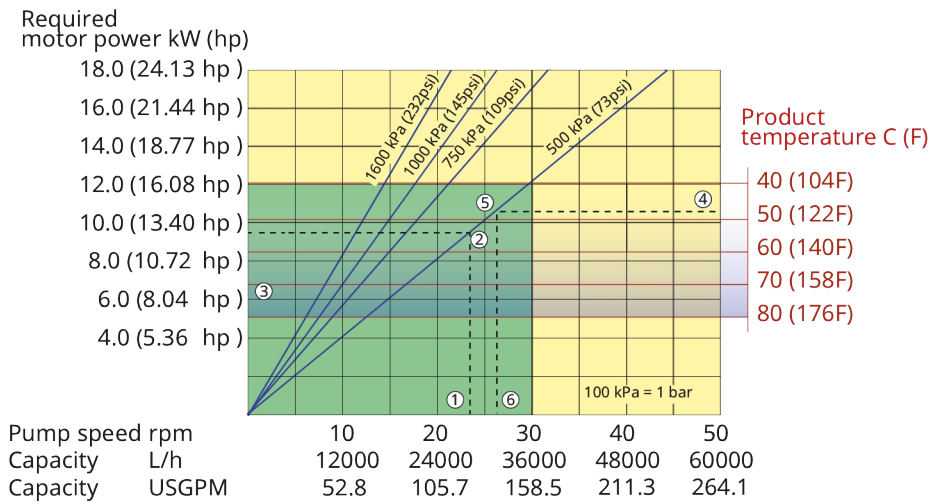
Features and benefits

- Dry running and self-priming
- Suction capability up to 7 mWC (276 inWC)
- No seals, ball-checks, diaphragms, glands, immersed rotors, stators or pistons to leak, clog, corrode or replace
- Handles abrasive slurries, corrosive acids, gaseous liquids
- No slippage, allowing true positive displacement for accurate and repeatable metering
- No ancillary equipment, check valves, sealing water flush systems or run-dry protection required
- Fully reversible to blow out suction and drain lines safely



Bredel 100 performance

Bredel 100



1. Flow required indicates pump speed
2. Calculated discharge pressure
3. Net motor power required
4. Product temperature
5. Calculated discharge pressure
6. Maximum recommended pump speed

Note: The area of continuous operation diminishes with increased product temperatures. For product temperatures >40C, the area of continuous operation reduces to the corresponding red temperature line.

- Continuous duty
- Intermittent duty

* Maximum 3 hours operation followed by minimum 1 hour stop

Technical specifications

	Bredel 100
Max. flow rate continuous	36000 L/h
Max. flow rate continuous	9499 USGPH
Max. flow rate intermittent	60000 L/h
Max. flow rate intermittent	15831 USGPH
Volume per revolution	20 L
Volume per revolution	5.28 USG
Max. continuous operating speed	30 rpm
Max. intermittent operating speed	50 rpm
Max. operating pressure	16 bar
Max. operating pressure	232 psi
Max. inlet pressure	1.5 bar abs
Max. inlet pressure	23 psi abs
Max. suction capability	7 mWC
Max. suction capability	276 inWC
Suction capability (80% Flow rate)	5 mWC
Suction capability (80% Flow rate)	197 inWC
Operating temperature range	-20 to 45 °C
Operating temperature range	-4 to 113 °F
Fluid temperature range	-20 to 80 °C
Fluid temperature range	-4 to 176 °F
Min. starting torque	3100 N m
Min. starting torque	27437 in.lbs
Weight	1300 kg
Weight	2866 lbs
Hose lubricant required	60 L
Hose lubricant required	15.85 USG
Port configurations	Down, Left, Right, Up
Compatible hose materials	CSM, EPDM, F-NBR, NBR, NBR for food, NR-Metering, NR-Transfer
Flange assembly type	ANSI, DIN, JIS

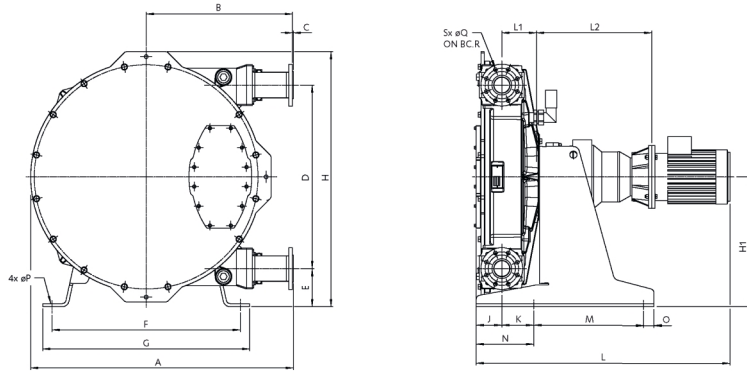
Please consult your Bredel representative for lower or higher temperature operation.

Allowable ambient temperature is based on pump capabilities and may be further limited by gearbox ambient capabilities.

Materials of construction

	Bredel 100
Hose material	CSM, EPDM, F-NBR, NBR, NBR for food, NR-Metering, NR-Transfer
Housing	Cast iron, ISO12944 category C4M
Rotor assembly	Cast iron, ISO12944 category C4M
Cover assembly	Cast iron, ISO12944 category C4M
Brackets and fasteners	Galvanized steel, Stainless steel 316
Support frame	Galvanized steel, Stainless steel 316
Hose clamps	Galvanized steel, Stainless steel 316
Seals	Neoprene, Nitrile

Bredel 100 dimensions



Type	A	B	C	D	E	F	G	H	H1	J	K	Lmax	L1	L2max	M	N	O	ØP	ØQ	R	S
Bredel 100 (mm)	1468	813	3	1042	199	1050	1140	1415	720	151	173	1392	200	489	540	310	50	22	18	180	8
Bredel 100 (inches)	57.8	32	0.12	41	7.8	41.3	44.9	55.7	28.3	5.9	6.8	54.8	7.9	19.3	21.3	12.2	2	0.9	0.71	7.1	0.31
Connector sizes							ANSI 150#						EN DIN				JIS				
Bredel 100							4"						100mm				100mm				

Disclaimer: The information contained in this document is believed to be correct at the time of publication, but Watson-Marlow Bredel BV accepts no liability for any error it contains, and reserves the right to alter specifications without prior notice. All mentioned values in this document are values under controlled circumstances at our test bed. Actual flow rates achieved may vary because of changes in temperature, viscosity, inlet and discharge pressures and/or system configuration. APEX, DuCoNite, Bioprene and Bredel are registered trademarks.

wmfts.com/global



23 November 2023