

# Bredel 32



Hose Pumps

Bredel hose pumps (10-50)

## Features and benefits

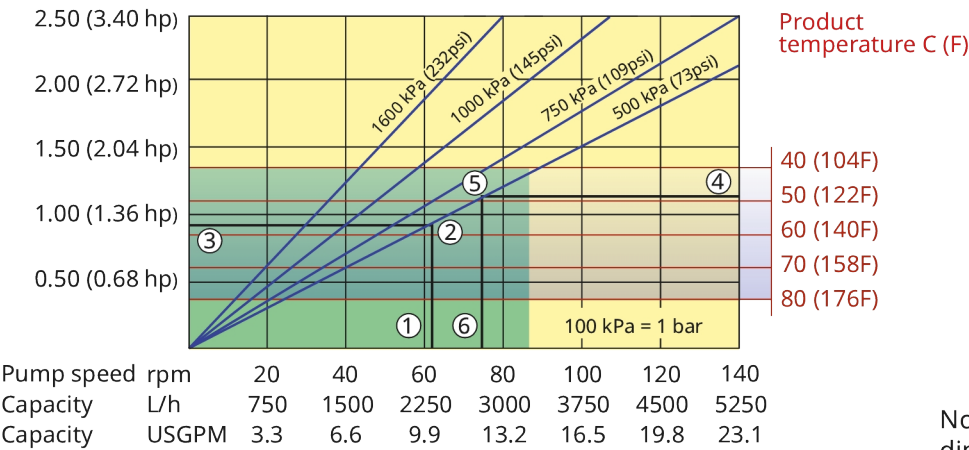
- Dry running and self-priming
- Suction capability up to 9.5 mWC (374 inWC)
- No seals, ball-checks, diaphragms, glands, immersed rotors, stators or pistons to leak, clog, corrode or replace
- Handles abrasive slurries, corrosive acids, gaseous liquids
- No slippage, allowing true positive displacement for accurate and repeatable metering
- No ancillary equipment, check valves, sealing water flush systems or run-dry protection required
- Fully reversible to blow out suction and drain lines safely



## Bredel 32 performance

Required motor power kW (hp)

## Bredel 32



Note: The area of continuous operation diminishes with increased product temperatures. For product temperatures >40C, the area of continuous operation reduces to the corresponding red temperature line.

1. Flow required indicates pump speed
2. Calculated discharge pressure
3. Net motor power required
4. Product temperature
5. Calculated discharge pressure
6. Maximum recommended pump speed

- Continuous duty
- Intermittent duty

\* Maximum 3 hours operation followed by minimum 1 hour stop

## Technical specifications

	Bredel 32
Max. flow rate continuous	3200 L/h
Max. flow rate continuous	844 USGPH
Max. flow rate intermittent	5250 L/h
Max. flow rate intermittent	1385 USGPH
Volume per revolution	0.625 L
Volume per revolution	0.165 USG
Max. continuous operating speed	85 rpm
Max. intermittent operating speed	140 rpm
Max. operating pressure	16 bar
Max. operating pressure	232 psi
Max. inlet pressure	3 bar abs
Max. inlet pressure	44 psi abs
Max. suction capability	9.5 mWC
Max. suction capability	374 inWC
Suction capability (80% Flow rate)	9 mWC
Suction capability (80% Flow rate)	354 inWC
Operating temperature range	-20 to 45 °C
Operating temperature range	-4 to 113 °F
Fluid temperature range	-20 to 80 °C
Fluid temperature range	-4 to 176 °F
Min. starting torque	210 N m
Min. starting torque	1859 in.lbs
Weight	130 kg
Weight	287 lbs
Hose lubricant required	3.5 L
Hose lubricant required	0.92 USG
Port configurations	Down, Left, Right, Up
Compatible hose materials	CSM, EPDM, F-NBR, NBR, NBR for food, NR-Metering, NR-Transfer
Flange assembly type	ANSI, DIN, JIS

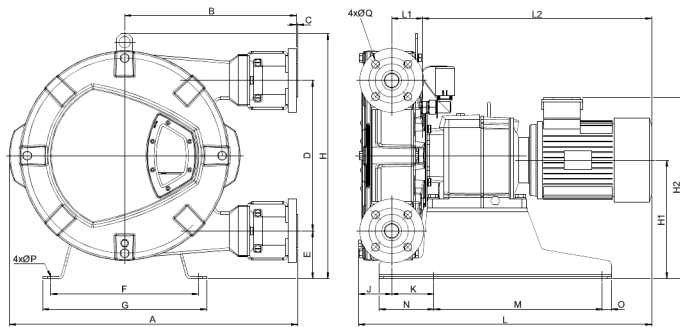
Please consult your Bredel representative for lower or higher temperature operation.

Allowable ambient temperature is based on pump capabilities and may be further limited by gearbox ambient capabilities.

## Materials of construction

	Bredel 32
Hose material	CSM, EPDM, F-NBR, NBR, NBR for food, NR-Metering, NR-Transfer
Housing	Cast iron, ISO12944 category C4M
Rotor assembly	Cast iron, ISO12944 category C4M
Cover assembly	Cast iron, ISO12944 category C4M
Brackets and fasteners	Galvanized steel, Stainless steel 316
Support frame	Galvanized steel, Stainless steel 316
Hose clamps	Galvanized steel, Stainless steel 316
Seals	Nitrile

## Bredel 32 dimensions



Type	A	B	C	D	E	F	G	H	H1	H2max	J	K	Lmax	L1	L2max	M	N	O	ØP	ØQ	R
Bredel 32 (mm)	631	375	2.5	330	105	324	360	538	260	402	72	93	684	68	544	370	120	20	12	18	100
Bredel 32 (inches)	24.8	14.8	0.09	13	4.1	12.8	14.2	21.2	10.2	15.8	2.8	3.7	26.9	2.7	21.4	14.6	4.7	0.79	0.47	0.71	3.94
<b>Connector sizes</b>								<b>ANSI 150#</b>					<b>EN DIN</b>					<b>JIS</b>			
Bredel 32								1.25"/1.5"					32mm					32mm			

Disclaimer: The information contained in this document is believed to be correct at the time of publication, but Watson-Marlow Bredel BV accepts no liability for any error it contains, and reserves the right to alter specifications without prior notice. All mentioned values in this document are values under controlled circumstances at our test bed. Actual flow rates achieved may vary because of changes in temperature, viscosity, inlet and discharge pressures and/or system configuration. APEX, DuCoNite, Bioprene and Bredel are registered trademarks.

[wmfts.com/global](http://wmfts.com/global)



23 November 2023