

# Bredel 65



Hose Pumps

Bredel hose pumps (65-2100)

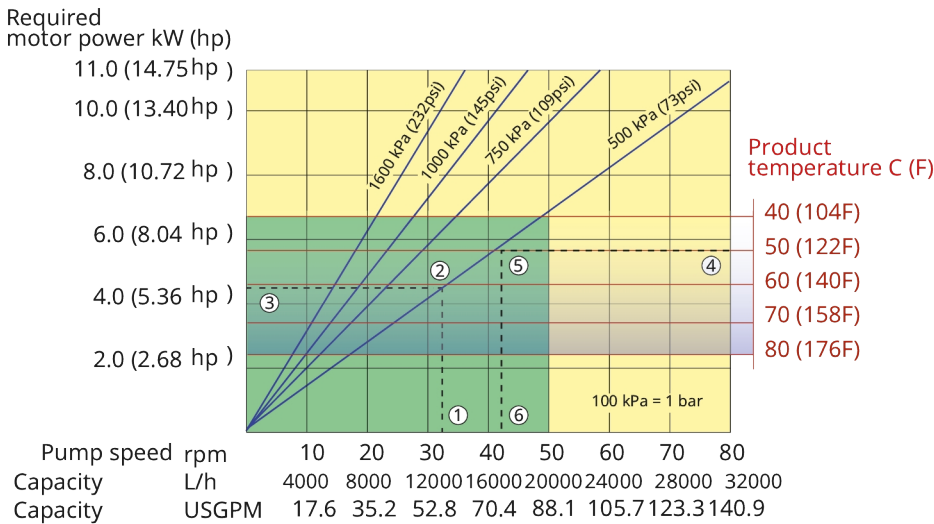
## Features and benefits

- Dry running and self-priming
- Suction capability up to 9.5 mWC (374 inWC)
- No seals, ball-checks, diaphragms, glands, immersed rotors, stators or pistons to leak, clog, corrode or replace
- Handles abrasive slurries, corrosive acids, gaseous liquids
- No slippage, allowing true positive displacement for accurate and repeatable metering
- No ancillary equipment, check valves, sealing water flush systems or run-dry protection required
- Fully reversible to blow out suction and drain lines safely



## Bredel 65 performance

### Bredel 65



Note: The area of continuous operation diminishes with increased product temperatures. For product temperatures >40C, the area of continuous operation reduces to the corresponding red temperature line.

1. Flow required indicates pump speed
2. Calculated discharge pressure
3. Net motor power required
4. Product temperature
5. Calculated discharge pressure
6. Maximum recommended pump speed

- Continuous duty
- Intermittent duty

\* Maximum 3 hours operation followed by minimum 1 hour stop

## Technical specifications

	<b>Bredel 65</b>
Max. flow rate continuous	20100 L/h
Max. flow rate continuous	5303 USGPH
Max. flow rate intermittent	32160 L/h
Max. flow rate intermittent	8485 USGPH
Volume per revolution	6.7 L
Volume per revolution	1.77 USG
Max. continuous operating speed	50 rpm
Max. intermittent operating speed	80 rpm
Max. operating pressure	16 bar
Max. operating pressure	232 psi
Max. inlet pressure	2 bar abs
Max. inlet pressure	30 psi abs
Max. suction capability	9.5 mWC
Max. suction capability	374 inWC
Suction capability (80% Flow rate)	8 mWC
Suction capability (80% Flow rate)	315 inWC
Operating temperature range	-20 to 45 °C
Operating temperature range	-4 to 113 °F
Fluid temperature range	-20 to 80 °C
Fluid temperature range	-4 to 176 °F
Min. starting torque	1150 N m
Min. starting torque	10178 in.lbs
Weight	558 kg
Weight	1230 lbs
Hose lubricant required	20 L
Hose lubricant required	5.28 USG
Port configurations	Down, Left, Right, Up
Compatible hose materials	CSM, EPDM, F-NBR, NBR, NBR for food, NR-Metering, NR-Transfer
Flange assembly type	ANSI, DIN, JIS

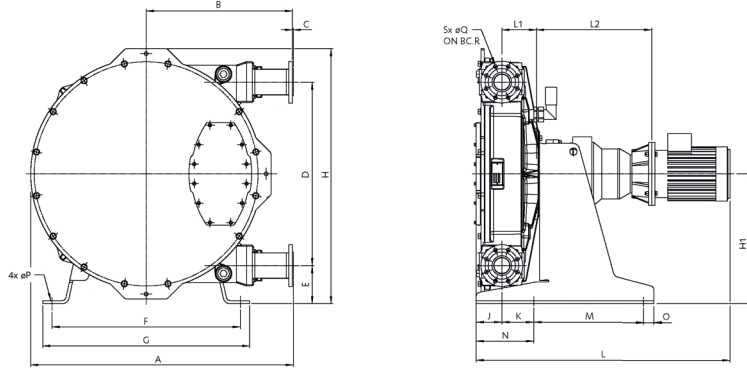
Please consult your Bredel representative for lower or higher temperature operation.

Allowable ambient temperature is based on pump capabilities and may be further limited by gearbox ambient capabilities.

## Materials of construction

	<b>Bredel 65</b>
Hose material	CSM, EPDM, F-NBR, NBR, NBR for food, NR-Metering, NR-Transfer
Housing	Cast iron, ISO12944 category C4M
Rotor assembly	Cast iron, ISO12944 category C4M
Cover assembly	Cast iron, ISO12944 category C4M
Brackets and fasteners	Galvanized steel, Stainless steel 316
Support frame	Galvanized steel, Stainless steel 316
Hose clamps	Galvanized steel, Stainless steel 316
Seals	Neoprene, Nitrile

## Bredel 65 dimensions



Type	A	B	C	D	E	F	G	H	H1	J	K	Lmax	L1	L2max	M	N	O	ØP	ØQ	R	S
Bredel 65 (mm)	1059	580	3	746	152	680	740	1036	525	104	137	1172	141	486	415	220	50	18	18	145	4
Bredel 65 (inches)	41.7	22.8	0.12	29.4	6	26.8	29.1	40.8	20.7	4.1	5.4	46.1	5.6	19.1	16.3	8.7	2	0.71	0.71	5.7	0.16
<b>Connector sizes</b>								<b>ANSI 150#</b>					<b>EN DIN</b>					<b>JIS</b>			
Bredel 65								2.5"					65mm					65mm			

Disclaimer: The information contained in this document is believed to be correct at the time of publication, but Watson-Marlow Bredel BV accepts no liability for any error it contains, and reserves the right to alter specifications without prior notice. All mentioned values in this document are values under controlled circumstances at our test bed. Actual flow rates achieved may vary because of changes in temperature, viscosity, inlet and discharge pressures and/or system configuration. APEX, DuCoNite, Bioprene and Bredel are registered trademarks.

[wmfts.com/global](http://wmfts.com/global)



23 November 2023