

# Bredel 80



Hose Pumps

Bredel hose pumps (65-2100)

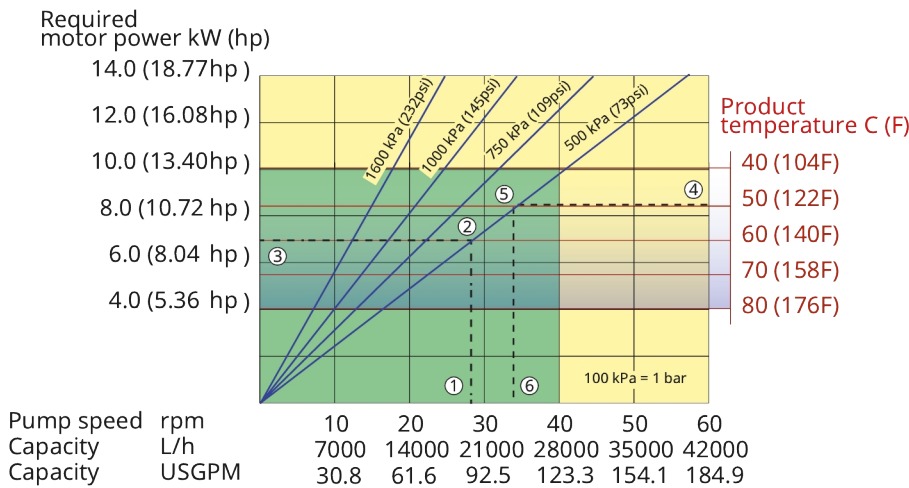
## Features and benefits

- Dry running and self-priming
- Suction capability up to 9 mWC (354 inWC)
- No seals, ball-checks, diaphragms, glands, immersed rotors, stators or pistons to leak, clog, corrode or replace
- Handles abrasive slurries, corrosive acids, gaseous liquids
- No slippage, allowing true positive displacement for accurate and repeatable metering
- No ancillary equipment, check valves, sealing water flush systems or run-dry protection required
- Fully reversible to blow out suction and drain lines safely



## Bredel 80 performance

### Bredel 80



Note: The area of continuous operation diminishes with increased product temperatures. For product temperatures >40C, the area of continuous operation reduces to the corresponding red temperature line.

1. Flow required indicates pump speed
2. Calculated discharge pressure
3. Net motor power required
4. Product temperature
5. Calculated discharge pressure
6. Maximum recommended pump speed

Continuous duty

Intermittent duty

\* Maximum 3 hours operation followed by minimum 1 hour stop

## Technical specifications

	<b>Bredel 80</b>
Max. flow rate continuous	28080 L/h
Max. flow rate continuous	7409 USGPH
Max. flow rate intermittent	42120 L/h
Max. flow rate intermittent	11113 USGPH
Volume per revolution	11.7 L
Volume per revolution	3.09 USG
Max. continuous operating speed	40 rpm
Max. intermittent operating speed	60 rpm
Max. operating pressure	16 bar
Max. operating pressure	232 psi
Max. inlet pressure	1.5 bar abs
Max. inlet pressure	23 psi abs
Max. suction capability	9 mWC
Max. suction capability	354 inWC
Suction capability (80% Flow rate)	7 mWC
Suction capability (80% Flow rate)	276 inWC
Operating temperature range	-20 to 45 °C
Operating temperature range	-4 to 113 °F
Fluid temperature range	-20 to 80 °C
Fluid temperature range	-4 to 176 °F
Min. starting torque	2000 N m
Min. starting torque	17701 in.lbs
Weight	930 kg
Weight	2050 lbs
Hose lubricant required	40 L
Hose lubricant required	10.57 USG
Port configurations	Down, Left, Right, Up
Compatible hose materials	CSM, EPDM, F-NBR, NBR, NBR for food, NR-Metering, NR-Transfer
Flange assembly type	ANSI, DIN, JIS

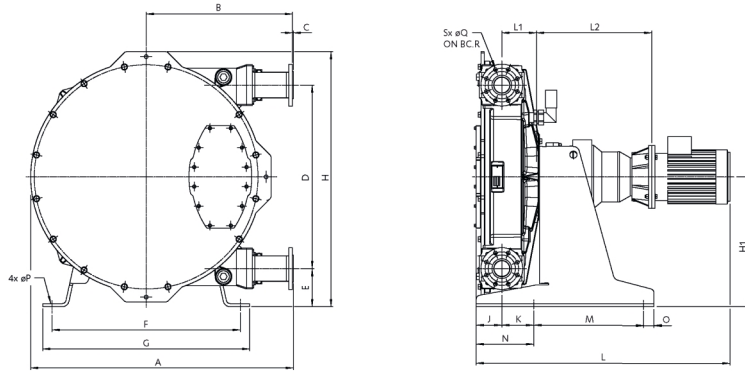
Please consult your Bredel representative for lower or higher temperature operation.

Allowable ambient temperature is based on pump capabilities and may be further limited by gearbox ambient capabilities.

## Materials of construction

	<b>Bredel 80</b>
Hose material	CSM, EPDM, F-NBR, NBR, NBR for food, NR-Metering, NR-Transfer
Housing	Cast iron, ISO12944 category C4M
Rotor assembly	Cast iron, ISO12944 category C4M
Cover assembly	Cast iron, ISO12944 category C4M
Brackets and fasteners	Galvanized steel, Stainless steel 316
Support frame	Galvanized steel, Stainless steel 316
Hose clamps	Galvanized steel, Stainless steel 316
Seals	Neoprene, Nitrile

## Bredel 80 dimensions



Type	A	B	C	D	E	F	G	H	H1	J	K	Lmax	L1	L2max	M	N	O	ØP	ØQ	R	S
Bredel 80 (mm)	1257	700	4	876	182	900	990	1218	620	124	153	1351	166	582	525	275	50	22	18	160	8
Bredel 80 (inches)	49.5	27.6	0.16	34.5	7.2	35.4	39	48	24.4	4.9	6	53.2	6.5	22.9	20.7	10.8	2	0.9	0.71	6.3	0.31
<b>Connector sizes</b>								<b>ANSI 150#</b>					<b>EN DIN</b>					<b>JIS</b>			
Bredel 80								3"					80mm					80mm			

Disclaimer: The information contained in this document is believed to be correct at the time of publication, but Watson-Marlow Bredel BV accepts no liability for any error it contains, and reserves the right to alter specifications without prior notice. All mentioned values in this document are values under controlled circumstances at our test bed. Actual flow rates achieved may vary because of changes in temperature, viscosity, inlet and discharge pressures and/or system configuration. APEX, DuCoNite, Bioprene and Bredel are registered trademarks.

[wmfts.com/global](http://wmfts.com/global)



23 November 2023