

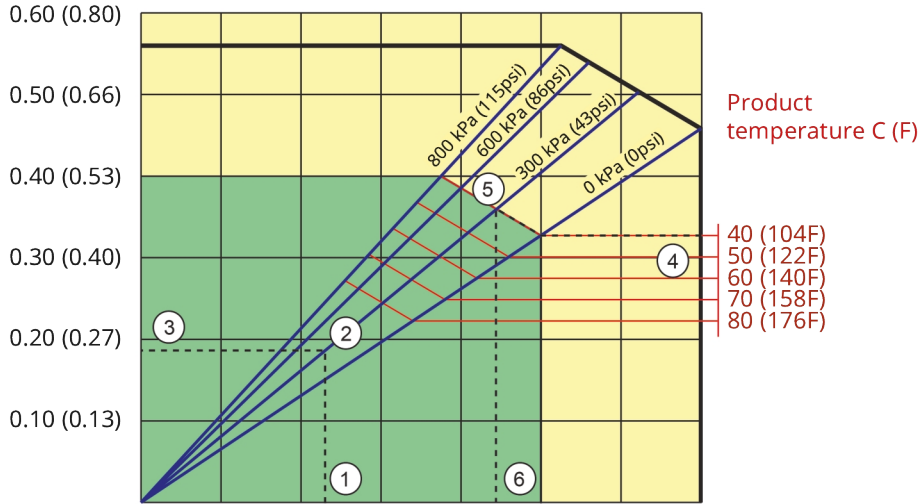
## Features and benefits

- Seal-less, valve-less design
- Precision machined hose elements for accurate, repeatable performance
- Optimized hose compression for unmatched flow stability
- Direct-coupled drive and maximum flexibility - no separate couplings to align or maintain
- Ultra compact design with flexibility to mount standard gear motors - rotor supported by own bearings to maximize gearbox life
- Lower maintenance costs - single component change means fewer spare parts inventory

## APEX15 performance

Required motor power kW (hp)

### APEX15



Pump speed rpm	20	40	60	80	100	120	140
Capacity L/h	110	220	330	440	550	660	770
Capacity USGPM	0.48	0.96	1.45	1.9	2.4	2.9	3.4

1. Flow required indicates pump speed
2. Calculated discharge pressure
3. Net motor power required
4. Product temperature
5. Calculated discharge pressure
6. Maximum recommended pump speed

- Continuous duty
- Intermittent duty

\* Maximum 3 hours operation followed by minimum 1 hour stop

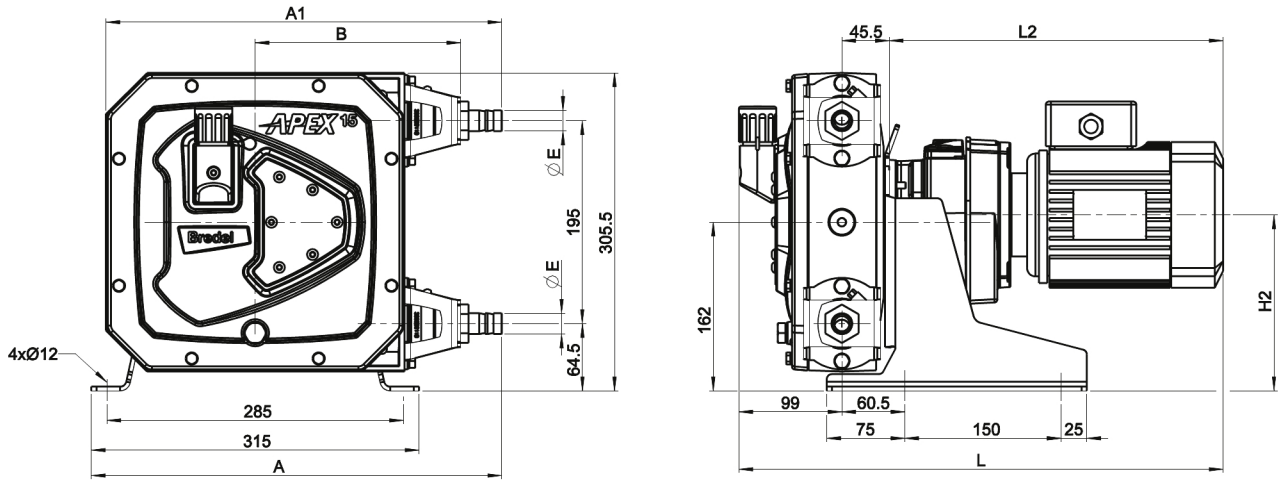
## Technical specifications

	APEX15
Max. flow rate continuous	550 L/h
Max. flow rate continuous	145 USGPH
Max. flow rate intermittent	770 L/h
Max. flow rate intermittent	203 USGPH
Volume per revolution	0.091 L
Volume per revolution	0.024 USG
Max. continuous operating speed	100 rpm
Max. intermittent operating speed	140 rpm
Max. operating pressure	8 bar
Max. operating pressure	116 psi
Suction pressure	0.05 bar abs
Suction pressure	0.73 psi abs
Max. inlet pressure	2 bar abs
Max. inlet pressure	30 psi abs
Operating temperature range	-20 to 45 °C
Operating temperature range	-4 to 113 °F
Fluid temperature range	-20 to 80 °C
Fluid temperature range	-4 to 176 °F
Min. starting torque	57 N m
Min. starting torque	505 in.lbs
Weight	40 kg
Weight	88 lbs
Hose lubricant required	1 L
Hose lubricant required	0.26 USG
Port configurations	Down, Left, Right, Up
Compatible hose materials	CSM, EPDM, F-NBR, NBR, NBR for food, NR
Flange assembly type	ANSI, DIN

## Materials of construction

	APEX15
Hose material	CSM, EPDM, F-NBR, Natural rubber (NR), NBR, NBR for food
Housing	Die-cast aluminum (RAL 3011)
Rotor assembly	Cast iron
Cover assembly	Die-cast aluminum, EPDM, PMMA
Brackets and fasteners	Stainless steel 316
Support frame	Galvanised steel
Hose clamps	Stainless steel 316
Coupling bush	Alloy steel
Seals	EPDM, NBR

## APEX15 dimensions



	A	A1	B	E	H2max	Lmax	L2max
APEX15 (mm)	394.5	380.5	197.5	Ø20	170	545.5	401
APEX15 (inches)	15.5	15	7.8	3/4" NPT	6.7	21.5	15.8
<b>Connector sizes</b>				<b>MNPT</b>	<b>EN DIN</b>	<b>JIS</b>	
APEX15				0.75"	20mm	20mm	

Disclaimer: The information contained in this document is believed to be correct at the time of publication, but Watson-Marlow Bredel BV accepts no liability for any error it contains, and reserves the right to alter specifications without prior notice. All mentioned values in this document are values under controlled circumstances at our test bed. Actual flow rates achieved may vary because of changes in temperature, viscosity, inlet and discharge pressures and/or system configuration. APEX, DuCoNite, Bioprene and Bredel are registered trademarks.

[wmfts.com/global](http://wmfts.com/global)



04 January 2024