

CIP 50

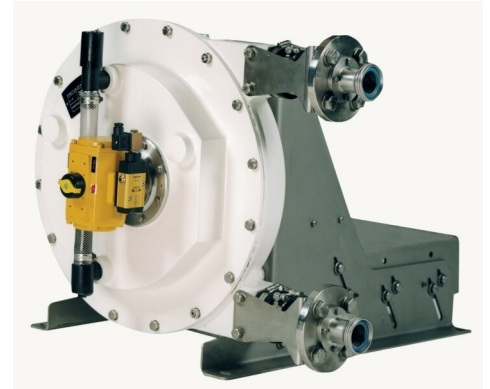
Bredel CIP hose pumps

Bredel

Hose Pumps

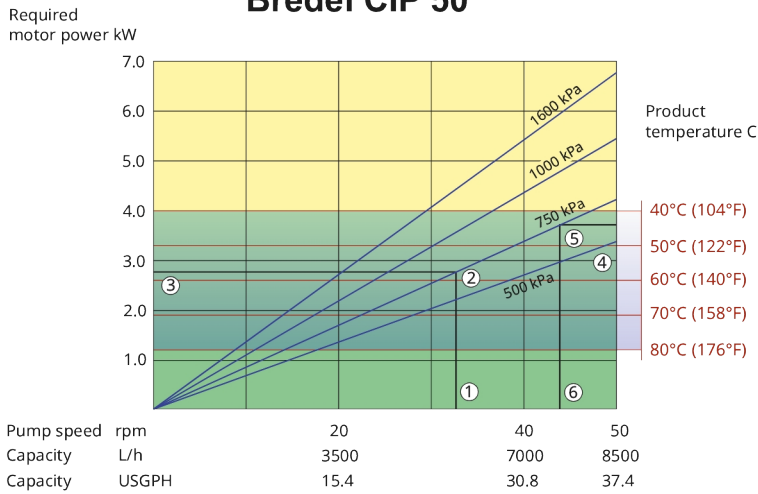
Features and benefits

- 3A and FDA certified
- Food approved NBR pump hose, with NSF® registered food grade lubricant
- Stainless steel sanitary connectors range includes DIN, ASA or JIS
- Shoes on the rotor retract automatically for cleaning of pump element inside
- Cam actuated electrically, pneumatically or manually
- Maximum sterilization temperature 120 °C
- Bredel CIP 50 flow rates up to 8,500 L/h (77 GPM), pressures up to 16 bar (232 psi)



CIP 50 performance

Bredel CIP 50



1. Flow required indicates pump speed
2. Calculated discharge pressure
3. Net motor power required
4. Product temperature
5. Calculated discharge pressure
6. Maximum recommended pump speed

- Continuous duty
- Intermittent duty

* Maximum 3 hours operation followed by minimum 1 hour stop

Technical specifications

	CIP 50
Max. flow rate continuous	8760 L/h
Max. flow rate continuous	2311 USGPH
Max. flow rate intermittent	8760 L/h
Max. flow rate intermittent	2311 USGPH
Volume per revolution	2.92 L
Volume per revolution	0.77 USG
Max. continuous operating speed	50 rpm
Max. intermittent operating speed	50 rpm
Max. operating pressure	16 bar
Max. operating pressure	232 psi
Max. suction capability	9.5 mWC
Max. suction capability	374 inWC
Suction capability (80% Flow rate)	8 mWC
Suction capability (80% Flow rate)	315 inWC
Operating temperature range	-20 to 45 °C
Operating temperature range	-4 to 113 °F
Fluid temperature range	-20 to 80 °C
Fluid temperature range	-4 to 176 °F
Min. starting torque	620 N m
Min. starting torque	5487 in/lbs
Weight	265 kg
Weight	584 lbs
Pumphead weight	195 kg
Pumphead weight	430 lbs
Hose lubricant required	20 L
Hose lubricant required	5.3 USG
Port configurations	Down, Left, Right, Up
Compatible hose materials	CSM, EPDM, F-NBR, NBR, NR, NR Endurance
Compatible tube materials	Bioprene
Flange assembly type	ANSI, DIN, JIS
Sanitary connector options	DIN 11851, DIN 11864, IDF, RJT, SMS, Tri-clamp

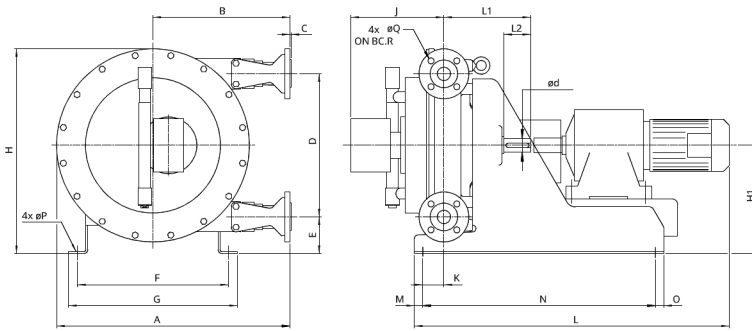
Please consult your Bredel representative for lower or higher temperature operation.

Allowable ambient temperature is based on pump capabilities and may be further limited by gearbox ambient capabilities.

Materials of construction

	CIP 50
Hose material	Bioprene (tube), CSM, EPDM, F-NBR, Natural rubber (NR), NBR, NBR for food, NR Endurance
Housing	Cast iron
Rotor assembly	Cast iron
Cover assembly	Cast iron
Brackets and fasteners	Stainless steel 316
Support frame	Galvanised steel, Stainless steel 316
Hose clamps	Stainless steel 316
Seals	NBR

CIP 50 dimensions



Type	A	B	C	C	D	Ød	E	F	G	H	H1	Jmax	K	L	L1	L2	M	N	O	Q	R
Bredel CIP 50 (mm)	835	475	3	10	554	50	123	444	496	760	400	433	78	*	325	100	25	870	25	18	125
Bredel CIP 50 (inches)	32.9	18.7	0.1	0.4	21.8	1.97	4.8	17.5	19.5	29.9	15.7	17.0	3.1	*	12.8	3.6	1.0	34.3	1.0	0.7	4.9

Disclaimer: The information contained in this document is believed to be correct at the time of publication, but Watson-Marlow Bredel BV accepts no liability for any error it contains, and reserves the right to alter specifications without prior notice. All mentioned values in this document are values under controlled circumstances at our test bed. Actual flow rates achieved may vary because of changes in temperature, viscosity, inlet and discharge pressures and/or system configuration. APEX, DuCoNite, Bioprene and Bredel are registered trademarks.

wmfts.com/global



27 June 2023