

# FlexFeed 30

Semi-automatic filling and capping systems

## Features and benefits

- Capable of handling screw caps, pipette caps or other screw caps with a special shape
- Filling and capping up to 1,200 bottles per hour, with diameters from 12 mm to 50 mm
- Consistent cap torque prevents the problems of leaking bottles



## Technical specifications

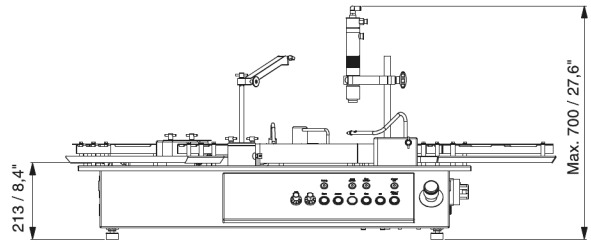
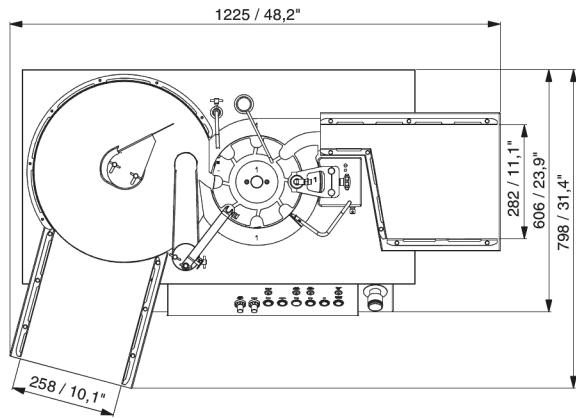
	FlexFeed 30
Ingress Protection	IP52
Capacity	1200 units/hour
Power supply	110/230 V AC, 50/60 Hz
Power consumption	300 W
Air supply	Clean and dry air
Weight	60 kg
Accessories	Customised format parts for bottles and caps
Max. bottle/vial diameter	50 mm
Max. bottle/vial height	110 mm

## Materials of construction

	FlexFeed 30
Material	Anodised aluminium, Polyacetal, Stainless steel AISI 304

## FlexFeed 30 dimensions

Dimensions in mm/inches



---

Disclaimer: The information in this document is believed to be correct, but Watson-Marlow Flexicon A/S accepts no liability for any errors it contains, and reserves the right to alter specifications without notice. **WARNING:** These products are not designed for use in, and should not be used for, patient-connected applications. asepticu and Accusil are registered trademarks.

[wmfts.com/global](http://wmfts.com/global)



08 February 2024