

SPS 600L

SPS process pump

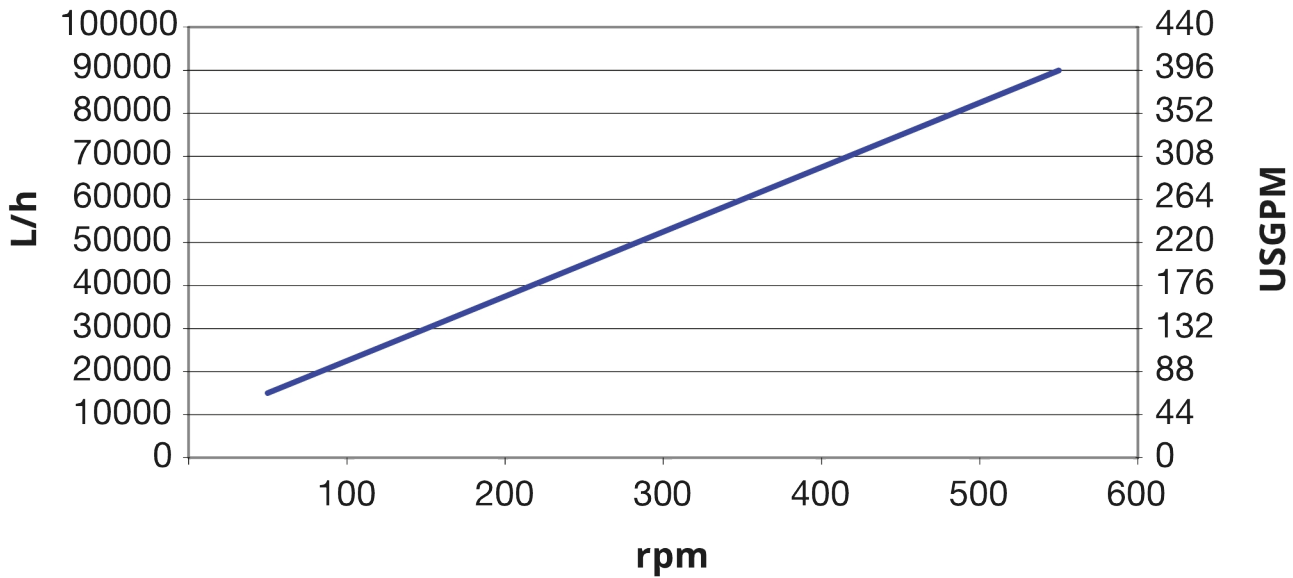
Features and benefits

- Low shear transfer pump, with flow up to 99000 L/h at pressures up to 10 bar
- Superior viscous handling
- Consistent flow with high suction capability up to 0.85 bar
- Flexible configuration of housing, nozzle type, size orientation, drive and baseplate
- Hygienic CIP and SIP capability
- FDA and EC 1935/2004 compliance
- Operating temperatures up to 180 °C
- 20-year guarantee on front cover and pump housing



Performance curves

These performance curves show the theoretical flow without consideration of slip



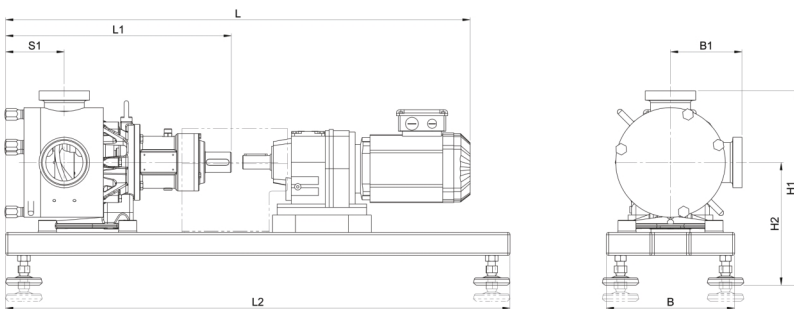
Technical specifications

| | SPS 600L |
|-----------------------------|---|
| Max. flow rate | 99000 L/h |
| Max. flow rate | 434.2 usgpm |
| Volume per revolution | 2.75 L |
| Volume per revolution | 0.724 usg |
| Max. particle size | 60 mm |
| Max. particle size | 2.36 in |
| Suction pressure | 85% of a vacuum |
| Max. operating speed | 600 rpm |
| Max. operating pressure | 10 bar |
| Max. operating pressure | 145 psi |
| Operating temperature range | -20 to 180 °C |
| Operating temperature range | -4 to 356 °F |
| Standards | ATEX |
| Certification | EC 1935/2004, FDA |
| Port orientation | Various options to meet your requirements |
| Port type | Flange, Milk fitting, RJT, SMS, TC |
| Shaft diameter | 65 mm |
| Shaft Diameter | 2.56 inch |
| Shaft Height | 9.25 inch |
| Shaft Height | 235 mm |

Materials of construction

| | SPS 600L |
|-----------------|--|
| Housing | Stainless steel 1.4404, Stainless steel 316L |
| Bearing frame | Stainless steel 1.4301, Stainless steel 304 |
| Rotor | Stainless steel 1.4404, Stainless steel 316L |
| Gate and liners | Polyamide |
| Seals/gaskets | EPDM, FFKM, FKM, NBR, PTFE |

SPS 600L dimensions



| Model | L | | | | L1 | | L2 | | S1 | | B | | B1 | | | | H1 | | | | H2 | | | |
|----------|------|------|------|------|-----|------|------|------|-----|------|-----|------|------|------|------|------|------|------|------|------|------|------|------|------|
| | min. | | max. | | | | | | | | | | min. | | max. | | min. | | max. | | min. | | max. | |
| | mm | inch | mm | inch | mm | inch | mm | inch | mm | inch | mm | inch | mm | inch | mm | inch | mm | inch | mm | inch | mm | inch | mm | inch |
| SPS 600L | 1302 | 51.3 | 2100 | 82.7 | 686 | 27.0 | 1400 | 55.1 | 234 | 9.2 | 400 | 15.8 | 270 | 10.6 | 274 | 10.8 | 675 | 26.2 | 757 | 29.8 | 390 | 13.4 | 487 | 19.2 |

Disclaimer: All flow rates shown were obtained pumping water at 20 °C (68 °F) with zero suction and delivery heads. Disclaimer: The information contained in this document is believed to be correct but Watson-Marlow Limited accepts no liability for any errors it contains and reserves the right to alter specifications without notice. Watson-Marlow, MasoSine, Qdos, ReNu, LoadSure, Bioprene, Pumpsil and Marprene are trademarks of Watson-Marlow Limited. STA-PURE PFL® and STA-PURE PCS® are registered trademarks of W.L Gore & Associates Inc. Please state the product code when ordering pumps and tubing.

wmfts.com/global



31 May 2023