

621F with 620R pumphead

600 series close-coupled pumps

Features and benefits

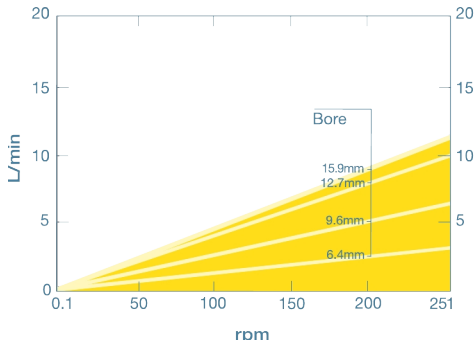
- Simplex flow rates up to 15 L/min
- Discharge pressures up to 2 bar with continuous tubing
- 620R two roller pumphead with CIP/SIP rotor
- Compact design with foot mounted gearbox
- 24-hour continuous duty with a two-year warranty
- Reversible operation
- Fixed Speed options: 230/460 VAC, 50/60 Hz 3-phase or 120/240 VAC, 50/60 Hz, 1-phase. Variable speed options supplied with 230/3/60, 460/3/60, 120/1/60 or 220/1/60 Variable frequency drive



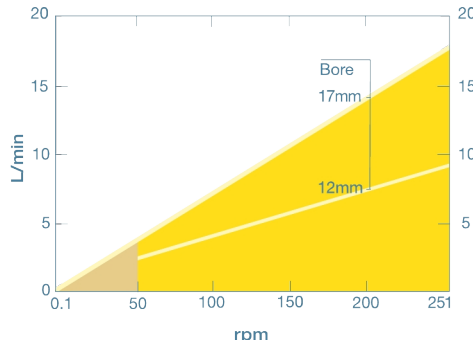
621F with 620R pumphead performance

Tube bore and flow rates (L/min)	620R continuous tubing					Elements			
	Fixed rpm	6.4mm	9.6mm	12.7mm	15.9mm	620RE LoadSure		620RE4 LoadSure	
Material	rpm	6.4mm	9.6mm	12.7mm	15.9mm	12.0mm	17.0mm	12.0mm	17.0mm
Marpene, Bioprene TM	77/250					2.9/9.3	4.5/14.8	2.4/7.9	3.2/10.3
Marpene, Bioprene TL	77/250	1.0/3.3	1.9/6.3	3.1/10	4.2/11	2.9/9.3	4.7/16.9	2.4/7.9	3.6/11.8
Pumpsil Platinum Silicone Neoprene, STA-PURE PCS	77/250	0.92/3.0	2.1/6.8	3.2/11	4.7-14	3.0/9.7	4.7/15	2.5/8.3	3.3/11
STA-PURE PFL	77/250	0.92/3.0	1.9/6.3	3.1/10	4.7-15	3.1/10.0	5.6/18	2.6/8.5	3.9/13

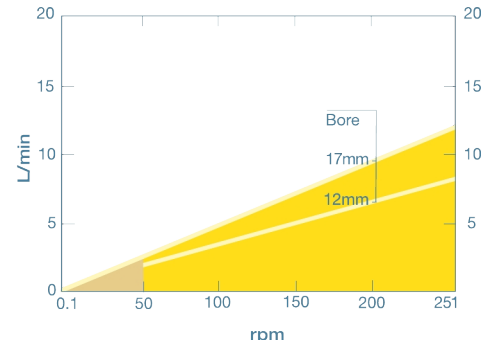
620R performance graph



620RE performance graph



620RE4 performance graph



Technical specifications

	621F with 620R pumphead
Max. flow rate	15 L/min
Min. flow rate	0.92 L/min
Max. flow rate	3.96 USGPM
Min. flow rate	0.24 USGPM
Max. operating pressure	2 bar
Max. operating pressure	30 psi
Ambient Temperature Range	5 to 40 °C
Ambient Temperature Range	41 to 104 °F
Motor types	Fixed speed motor
Max. operating speed	246 rpm
Standards	CE
Ingress rating	IP55
Noise	75dB(A) at 1m
Weight	18.5 kg
Weight	40.43 lbs
Power supply	230/400 V 3 ph, 50 Hz

Table lists details for fixed speed pumps. For more detail on drive, AC motor and inverter options please contact your local Watson-Marlow Fluid Technology Solutions representative.

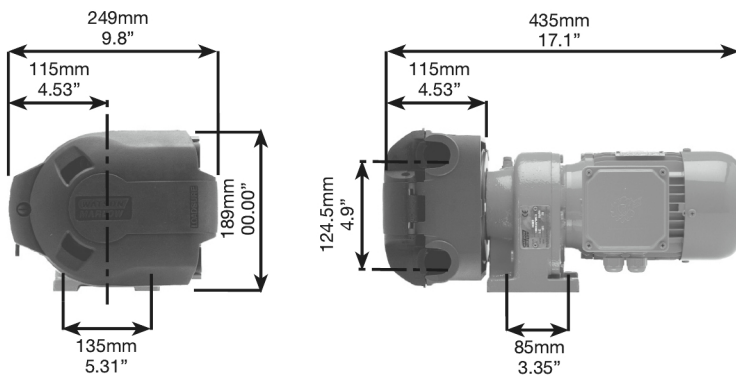
Materials of construction

	621F with 620R pumphead
Gearbox	Cast iron
Motor	Cast aluminium alloy
Pumphead guard	Powder coated aluminium LM24
Pumphead roller assembly	Fortron 1140L0 (PPS), MoS2 filled Nylon 6 (Nylatron), Stainless steel 303S31
Pumphead rotor assembly	Fortron 1140L0 (PPS)
Pumphead track	Powder coated aluminium LM24
Seals	Neoprene
Tube clamp assembly	PP (polypropylene)

Information listed covers the complete range of fixed speed pumps.

For detailed specifications of individual models/components and other drive/pumphead options, refer to user manual or contact WMFTS representative.

621F with 620R pumphead dimensions



Product codes

Pump	rpm	Supply	Product code
621F/R	77	230/400V 50Hz 3ph 0.37kW	060.8122.020 - *10:1
	250	230/400V 50Hz 3ph 0.37kW	060.8152.020 - *5:1

*10:1 or 5:1 speed reduction available using VFD

*ATEX pumps 10:1 speed reduction available using VFD from geared units fitted with PTC thermistors

For alternative speeds and motor options contact Watson-Marlow Applications Engineering Department.

Pumphead	Description	Product code
620R	Two roller continuous tubing pumphead for maximum 2 bar peak pressure	064.0211.000

Tubing				
Bore/wall (mm)	Bioprene	Marprene	Platinum Silicone	PureWeld XL
6.4x3.2	933.0064.032	902.0064.032	913.A064.032	
9.6x3.2	933.0096.032	902.0096.032	913.A096.032	942.0096.032
12.7x3.2	933.0127.032	902.0127.032	913.A127.032	942.0127.032
15.9x3.2	933.0159.032	902.0159.032	913.A159.032	
Bore/wall (mm)	STA-PURE	STA-PURE PFL		
6.4x3.2	961.0064.032	966.0064.032		
9.6x3.2	961.0096.032	966.0096.032		
12.7x3.2	961.0127.032	966.0127.032		
15.9x3.2	961.0159.032	966.0159.032		

Loadsure Elements				
Material	12mm Tri-Clamp 3/4" PVDF connectors	17mm Tri-Clamp 3/4" PVDF connectors	12mm C&G with PP 3/4" connectors	12mm C&G with PP 3/4" connectors
Bioprene TL 0-2 bar (peak)	933.0120.PFT	933.0170.PFT		
Bioprene TM 0-4 bar (peak)	933.M120.PFT	933.M170.PFT		
STA-PURE PCS 0-4 bar (peak)	961.0120.PFT	961.0170.PFT		
Pumpsil (0-2 bar peak)	913.A120.PFT	913.A170.PFT		
Marprene TL 0-2 bar (peak)			902.0120.PPC	902.0170.PPC
Marprene TM 0-4 bar (peak)			902.P120.PPC	902.P170.PPC
Pumpsil 0-2 bar (peak)			913.A120.PPC	913.A170.PPC

Disclaimer: All flow rates shown were obtained pumping water at 20 °C (68 °F) with zero suction and delivery heads. Watson-Marlow, Pumpsil, PureWeld XL, Bioprene and Marprene are trademarks of Watson-Marlow Limited. Disclaimer: The information contained in this document is believed to be correct but Watson-Marlow Limited accepts no liability for any errors it contains, and reserves the right to alter specifications without notice. GORE and STA-PURE are trademarks of W. L. Gore & Associates. Please state the product code when ordering pumps and tubing.

wmfts.com/global



14 August 2023