

# 313FDP/D fixed/variable speed DC pump, precision motors

# 300 series

Watson-Marlow Pumps

## FEATURES

- High quality 12/24DC motor with low audible noise
- Flow rates up to 1250 ml/min
- Speed control board option for control ratio 20:1, stop/start direction facilities and analogue speed control
- Rapid and simple tube loading flip-top pumphead
- Snap-fit 313X extension pumpheads available



*Watson-Marlow... Innovation in Full Flow*

## PERFORMANCE

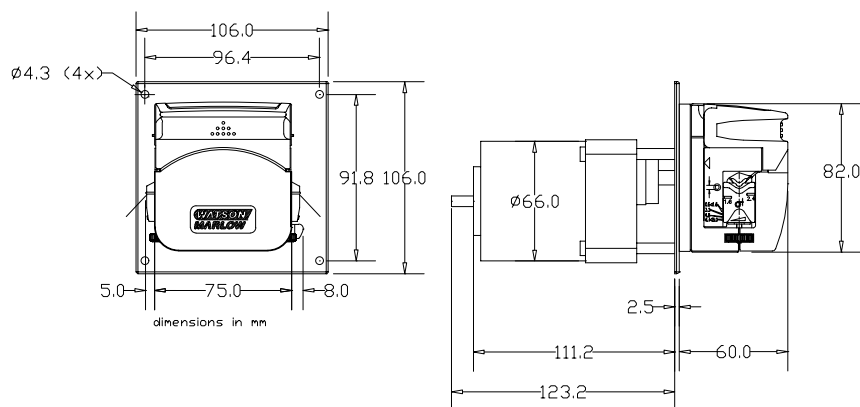
Flow rates 1.6mm wall tubing			
Tube bore (mm)	Speed (rpm)		
	50	100	250
0.5	1.50	3.00	7.50
0.8	3.00	6.00	15.0
1.6	13.0	26.0	65.0
3.2	50.0	100	250
4.8	110	220	550
6.4	180	360	900
8.0	250	500	1250

Minimum flows are 10% of rates given with OEM speed control board

## TECHNICAL SPECIFICATION

313FDP/D	
Motor type	12 or 24VDC
Motor torque output	50rpm 11 kgcm 100rpm 14 kgcm 250rpm 6 kgcm
Weight	2kg

## DIMENSIONS



## ORDER INFORMATION

Description	Supply	Speed (rpm)	Power consumption	Part code
313FDP/D	12VDC	50	5W	040.MK10.3D0
	24VDC	50	5W	040.EK10.3D0
	12VDC	100	30W	040.MP10.3D0
	24VDC	100	30W	040.LP10.3D0
	12VDC	250	30W	040.MT10.3D0
	24VDC	250	30W	040.LT10.3D0

All flow rates shown were obtained pumping water at 20C (68F) with zero suction and delivery heads. Watson-Marlow, Bioprene and Marprene are trademarks of Watson-Marlow Limited. Disclaimer: The information contained in this document is believed to be correct but Watson-Marlow Limited accepts no liability for any errors it contains, and reserves the right to alter specifications without notice. LoadSure is a trademark of Watson-Marlow Limited. © STA-PURE PFL and © STA-PURE PCS are registered trademarks of W.L. Gore & Associates Inc. Please state the product code when ordering pumps and tubing.

**WATSON  
MARLOW**  
Pumps

wmpg.com  
info@wmpg.com  
+44 (0) 1326 370370